

DATE  
DEC. 16, 2010  
CAT. #: NP0506

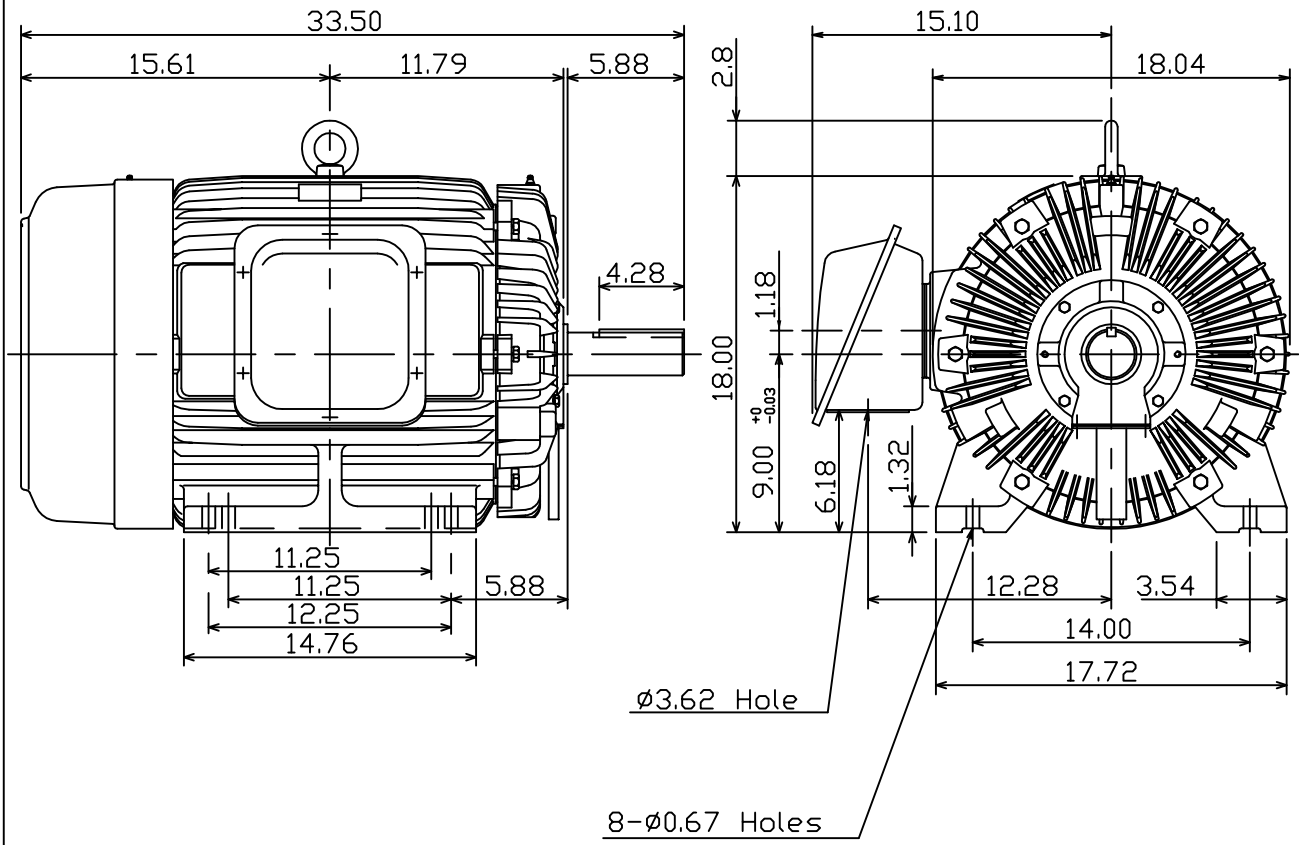
OUTLINE DIMENSIONS  
3-PHASE INDUCTION MOTOR

MOTOR TYPE:  
AEHH8P  
FRAME NO. 365T

Pole	HP	kW	Hz	VOLT	Syn.Speed r/min(rpm)
6	50	37.3	50	190/380	1000

Ins	Rating	Dimension in	Approx Weight	Bearings	
F	CONT.	inch	874 lbs.	DE: 6313	NDE: 6213

Totally Enclosed Fan-Cooled Type. Squirrel-Cage Rotor.



$\phi 3.62$  Hole

8- $\phi 0.67$  Holes



DWN.	K.L.KUD	12 06 10
CHKD.	K.L.KUD	12 07 10
APPD.	M.C.TSAI	12 07 10



DWG NO.  
31049J361530