

DATE
Nov. 7, 2008

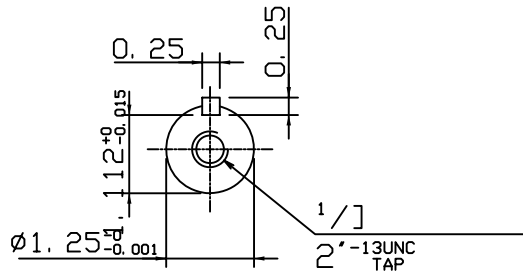
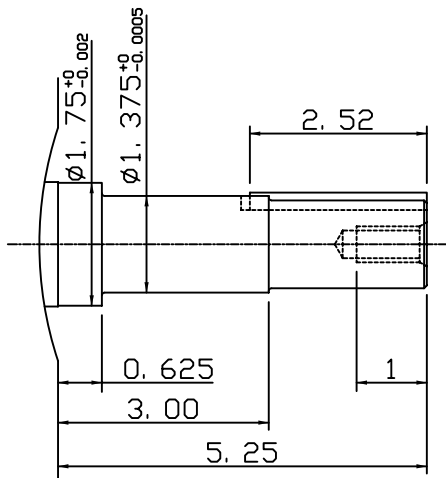
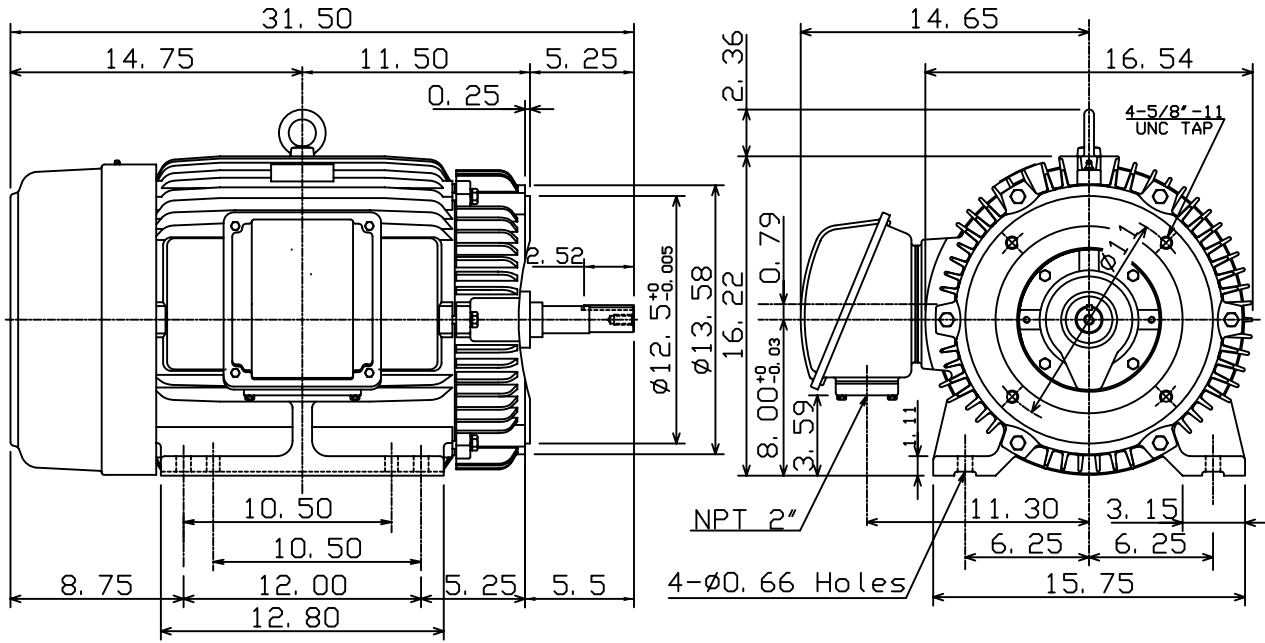
OUTLINE DIMENSIONS
3-PHASE INDUCTION MOTOR

MOTOR TYPE:
AEEAJM-NE
FRAME NO. 326JM

Pole	HP	kW	Hz	VOLT	Syn. Speed r/min(rpm)
.

Ins	Rating	Dimension in	Approx Weight	Bearings	
F	CONT.	inches	660 lbs.	DE: 6312	NDE: 6212

Totally Enclosed Fan-Cooled Type. Squirrel-Cage Rotor.



DWN.	K. L. KUO	02-13-08
CHKD.	K. L. KUO	02-14-08
APPD.	M. C. TSAI	02-14-08



DWG NO.
31057H209520