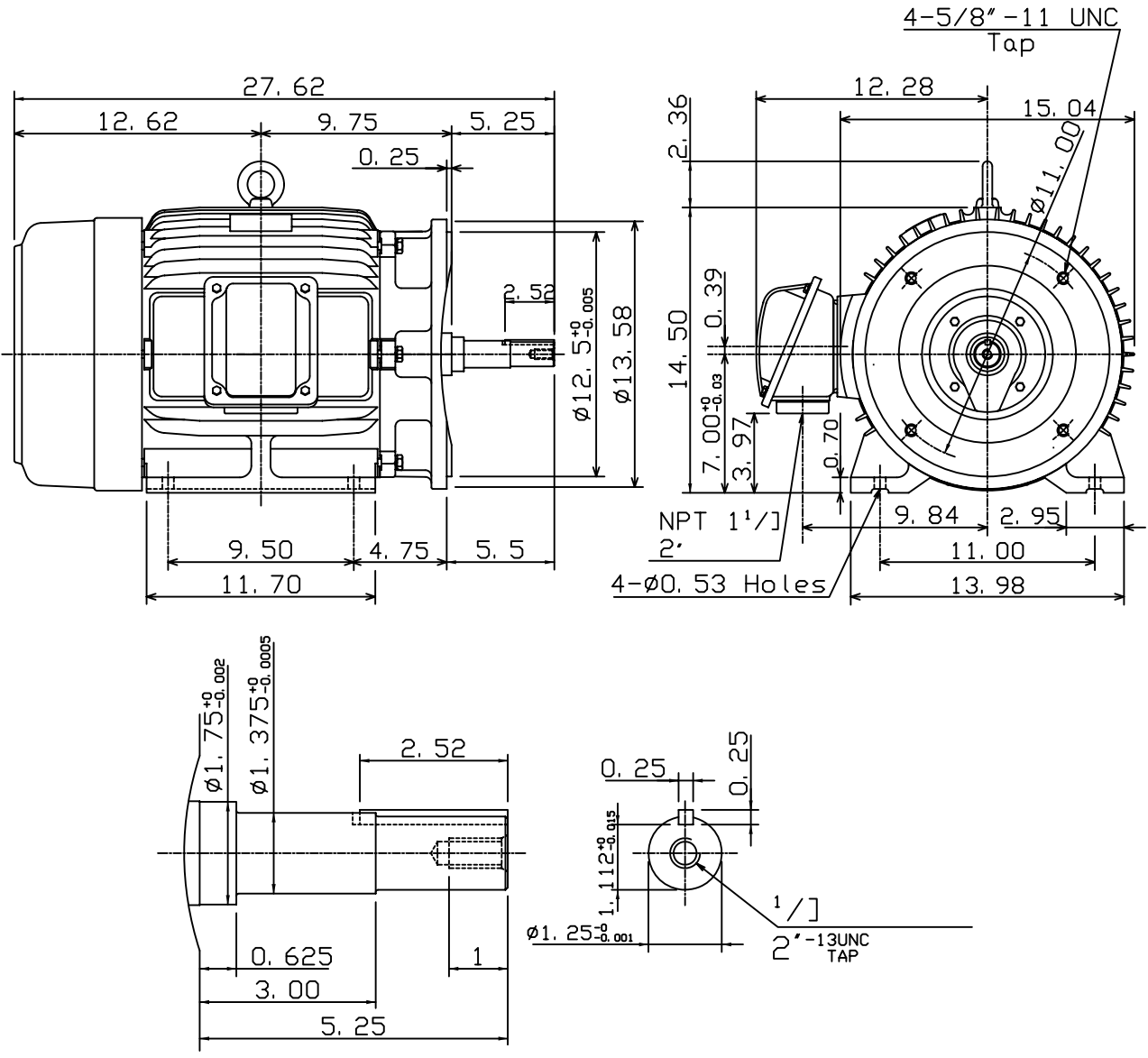


DATE Nov. 7, 2008	OUTLINE DIMENSIONS 3-PHASE INDUCTION MOTOR	MOTOR TYPE: AEEAJM-NE
Cat. #:		FRAME NO. 284JM

Pole	HP	kW	Hz	VOLT	Syn. Speed r/min(rpm)
2

Ins	Rating	Dimension in	Approx Weight	Bearings	
F	CONT.	inches	420 lbs.	DE: 6211C3	NDE: 6211C3

Totally Enclosed Fan-Cooled Type, Squirrel-Cage Rotor.



--	--	--

DWN. K. L. KUO	02-13-08	TEC Westinghouse	DWG NO.
CHKD. K. L. KUO	02-14-08		31057H206830
APPD. M. C. TSAI	02-14-08		