

DATE
Nov. 7, 2008
Cat. #:

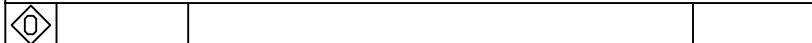
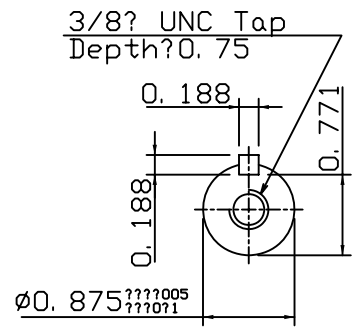
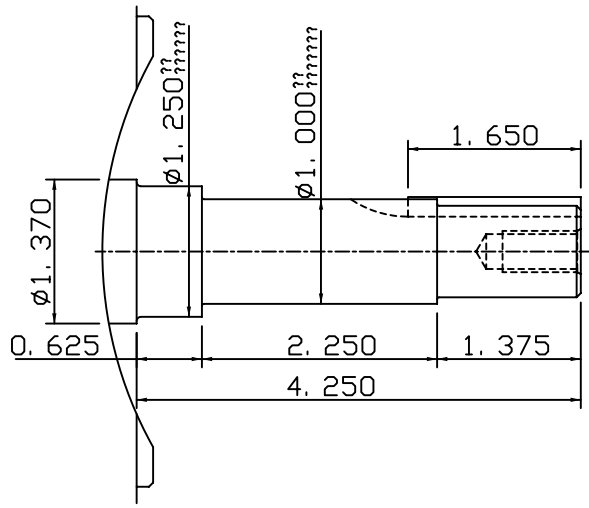
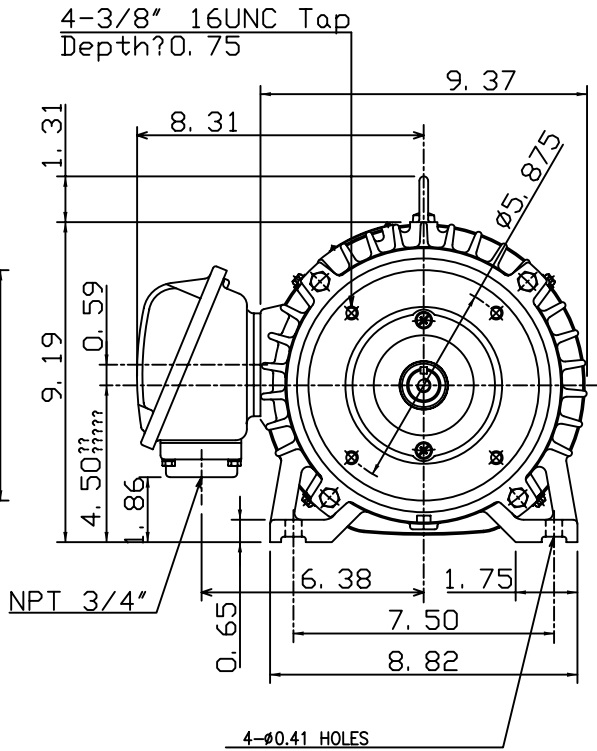
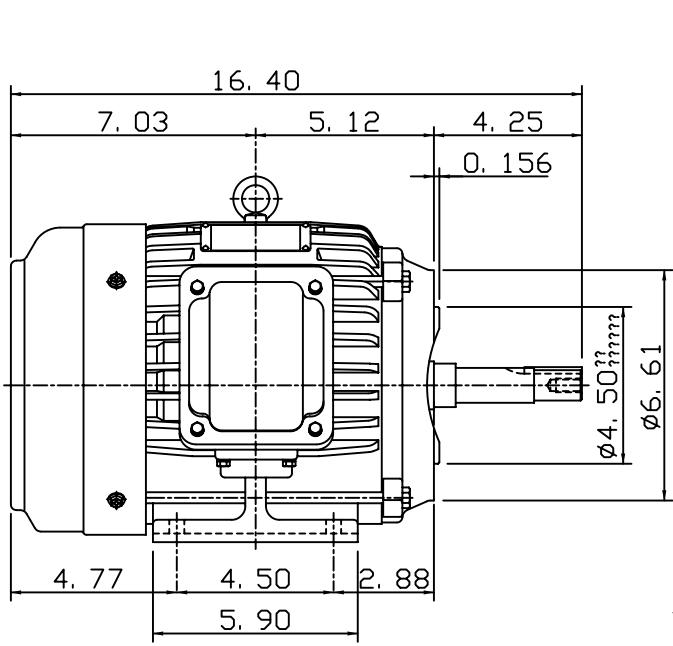
OUTLINE DIMENSIONS
3-PHASE INDUCTION MOTOR

MOTOR TYPE:
AEEAJM-NE
FRAME NO. 182JM

Pole	HP	kW	Hz	VOLT	Syn. Speed r/min(rpm)
-	-	-	-	-	-

Ins	Rating	Dimension in	Approx Weight	Bearings
F	CONT.	inches	86 lbs.	DE: 6307ZZ NDE: 6306ZZ

Totally Enclosed Fan Cooled Type. Squirrel Cage Rotor.



DWN. J. H. LIANG 01-01-08
CHKD. H. C. YAN 02-12-08
APPD. M. C. TSAI 02-12-08



DWG NO.
31049H739030