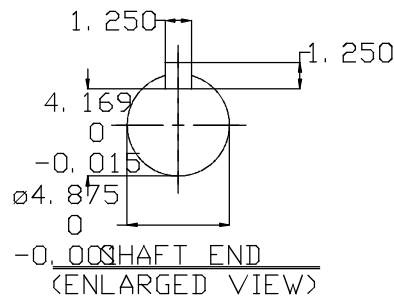
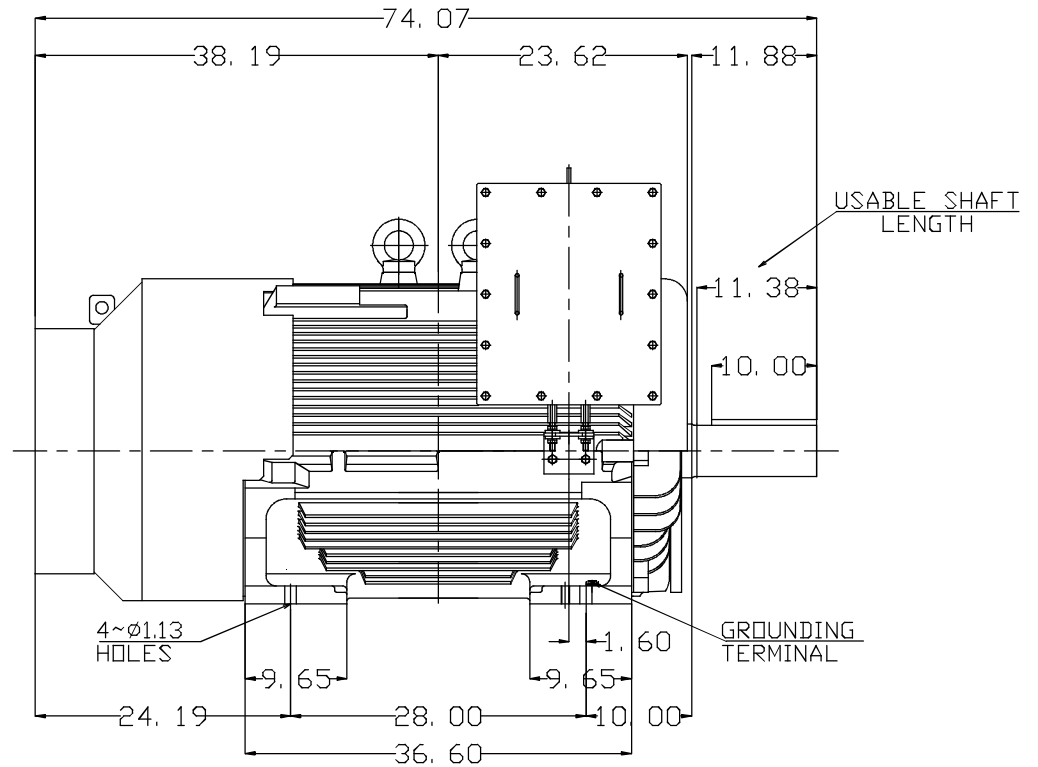
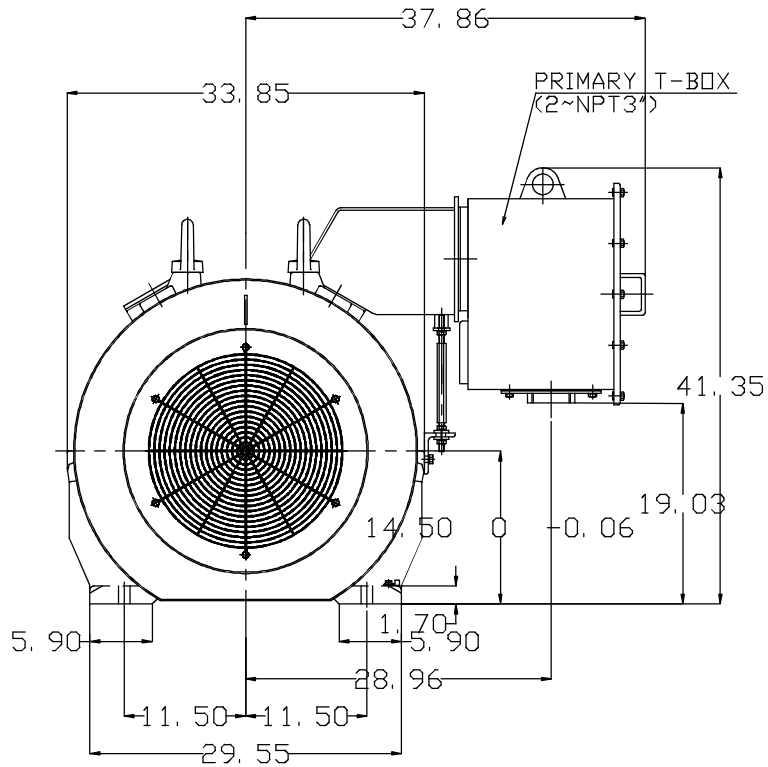


6 | 5 | 4 | 3 | 2 | 1

TYPE	OUTPUT		POLE	TIME RATING	VOLTAGE V	Hz	SYN.SPEED R.P.M
	HP.	kW.					
AEHE	400	298	8	CONT.	460	60	900

TOTALLY ENCLOSED FAN-COOLED TYPE, SQUIRREL-CAGE ROTOR



NOTE:

1. DIMENSIONS IN inch
2. FRAME NO. 5808B
3. F CLASS INSULATION, S.F.115
4. FOR DIRECT FLEXIBLE COUPLING
5. ENCLOSURE: IP55
6. BEARING SIZE: DRIVE-END 6326
OPP. DRIVE-END 6322
7. MOTOR APPROX. WEIGHT: 5100 lb

DATE		OUTLINE DIMENSIONS	
CATALOG # E4008		3-PHASE INDUCTION MOTOR	
TEC Westinghouse		DWG NO. 4B040C038	REV:00

DWN.	Y.DU	MAR·24·2014
CHKD.	W.CHENG	MAR·29·2014
APPD.	C.SHIH	MAR·29·2014

6 | 5 | 4 | 3 | 2 | 1