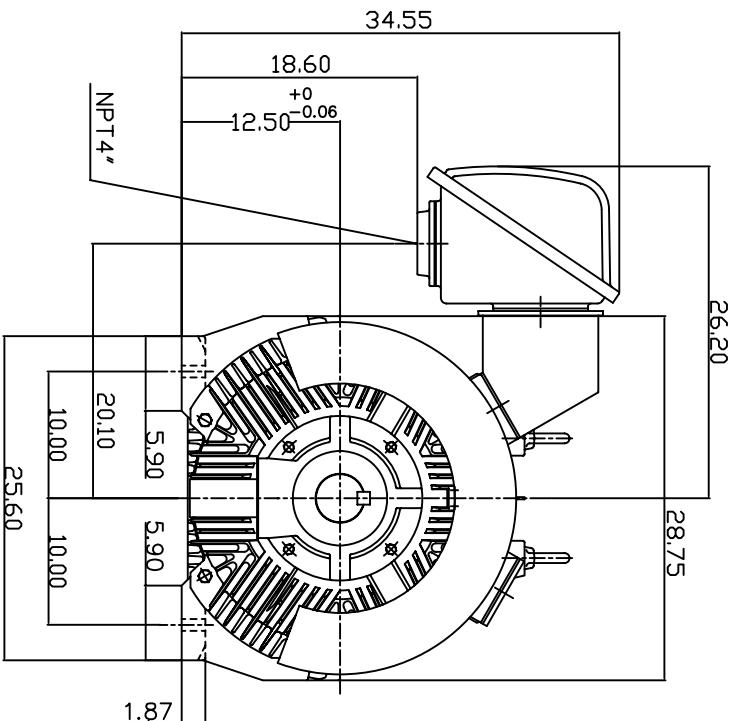
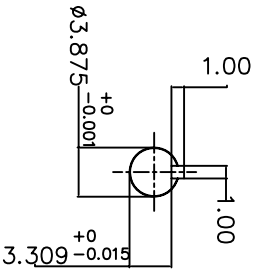
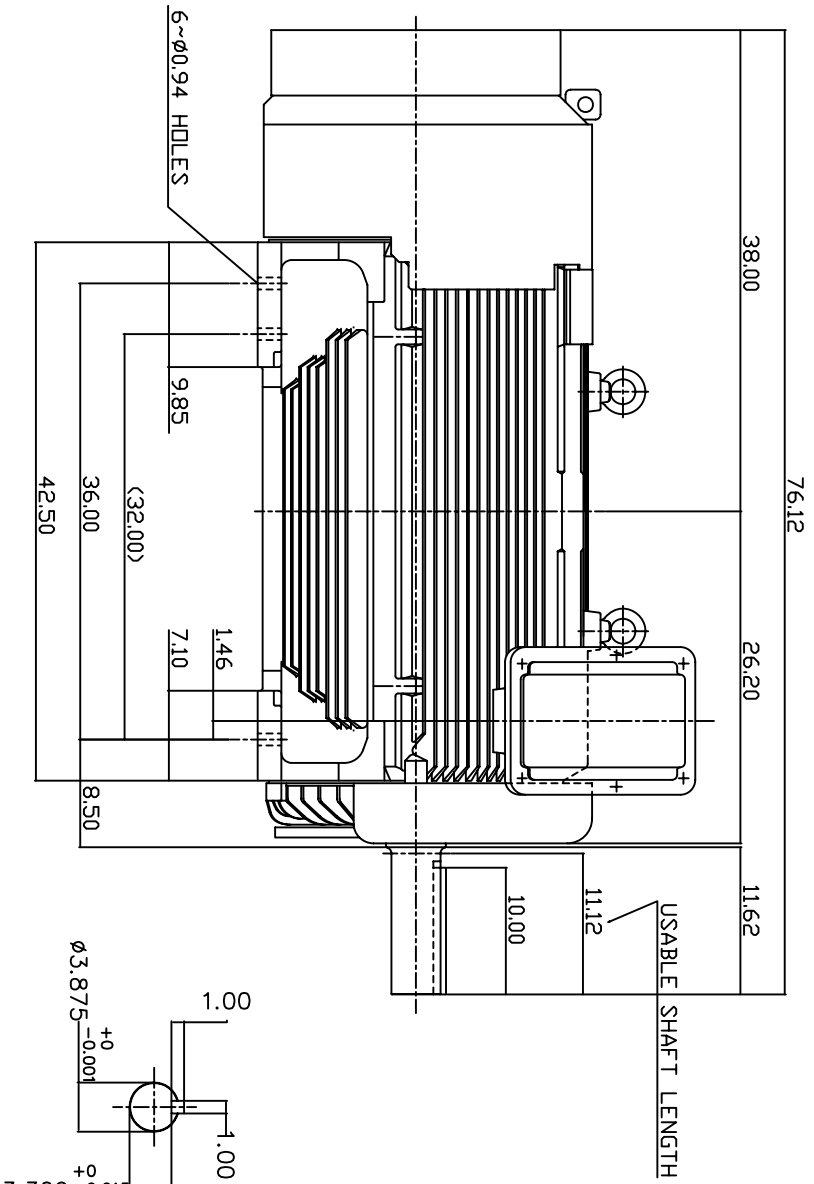


TYPE	OUTPUT		POLE	TIME RATING	VOLTAGE	Hz	SYNSPEED R.P.M
	HP.	KW.					
AEHE	350	261	8	CDNT.	380	50	750

TOTALLY ENCLOSED FAN-COOLED TYPE, SQUIRREL-CAGE ROTOR



NOTE:

1. DIMENSIONS IN INCH.
2. FRAME NO. 5011B (5010B)
3. F CLASS INSULATION, S.F.1.0
4. FOR DIRECT DRIVE APPLICATION
5. BEARING SIZE: DRIVE END: 6324 NDN-DRIVE END: 6320
6. MOTOR APPROX. WEIGHT: 4800 LBS

TV-56C

DWN.	W.L.LIN	DATE
CHKD.	W.L.LIN	MAR-03-2003
APPD.	C.WANG	MAR-03-2003

DATE  
APRIL 23, 2004  
CATALOG NO.  
E3508-50

OUTLINE DIMENSIONS  
3-PHASE INDUCTION MOTOR



DWG NO. 3A040T180-1  
REV: 00