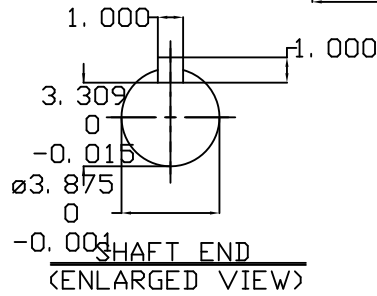
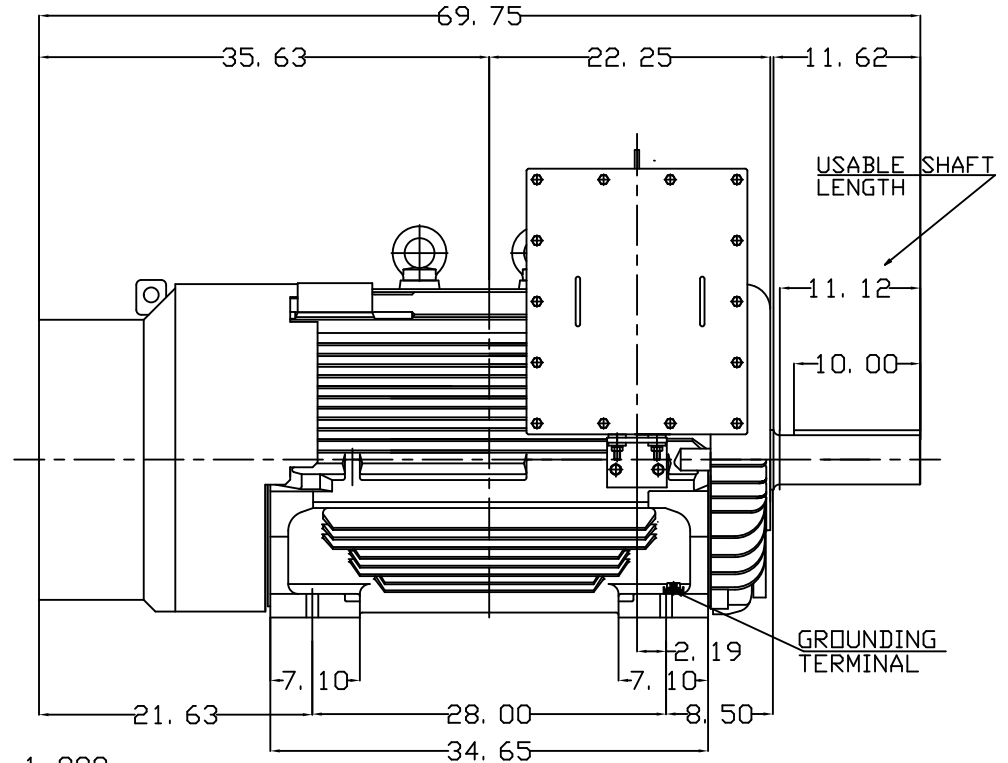
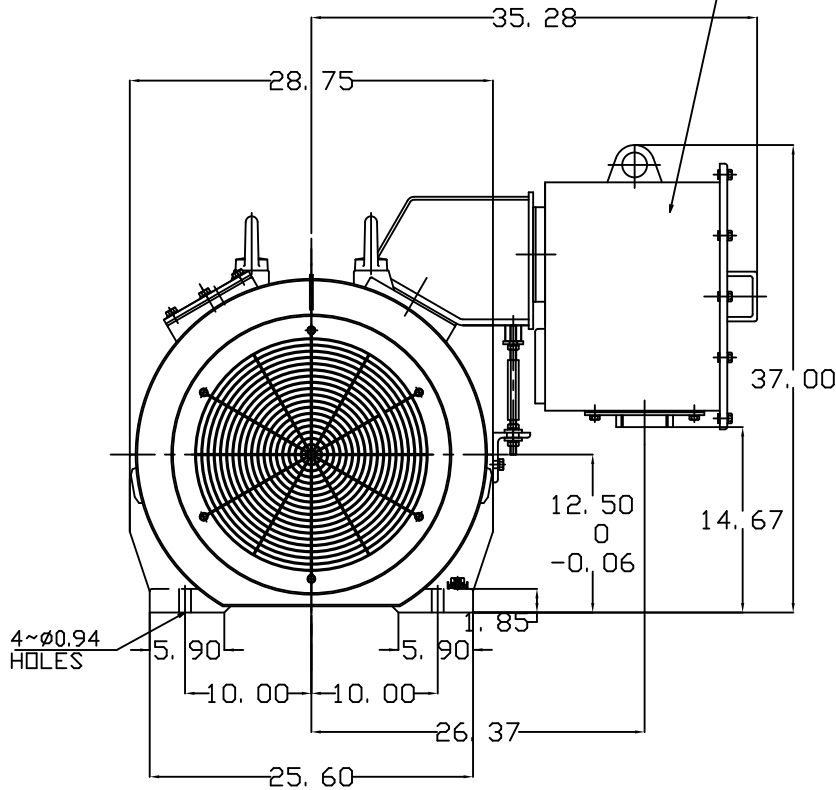


TYPE	OUTPUT		POLE	TIME RATING	VOLTAGE V	Hz	SYN.SPEED R.P.M
	HP.	KW.					
AEHE	300	224	8	CONT.	460	60	900

TOTALLY ENCLOSED FAN-COOLED TYPE, SQUIRREL-CAGE ROTOR

PRIMARY T-BOX
(NPT4")



NOTE:

1. DIMENSIONS IN inch
2. FRAME NO. 5009B
3. F CLASS INSULATION, S.F.1.15
4. FOR DIRECT FLEXIBLE COUPLING
5. ENCLOSURE: IP55
6. BEARING SIZE: DRIVE-END 6324
OPP. DRIVE-END 6320
7. MOTOR APPROX. WEIGHT: 4350 lb

DATE	OUTLINE DIMENSIONS	
CATALOG # E3008	3-PHASE INDUCTION MOTOR	
DWN. Y.DU MAR-19-2014	TECO Westinghouse	DWG NO. REV:00
CHKD. W.CHENG MAR-28-2014		4A040Y991
APPD. C.SHIH MAR-28-2014		