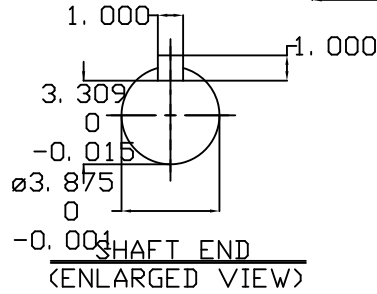
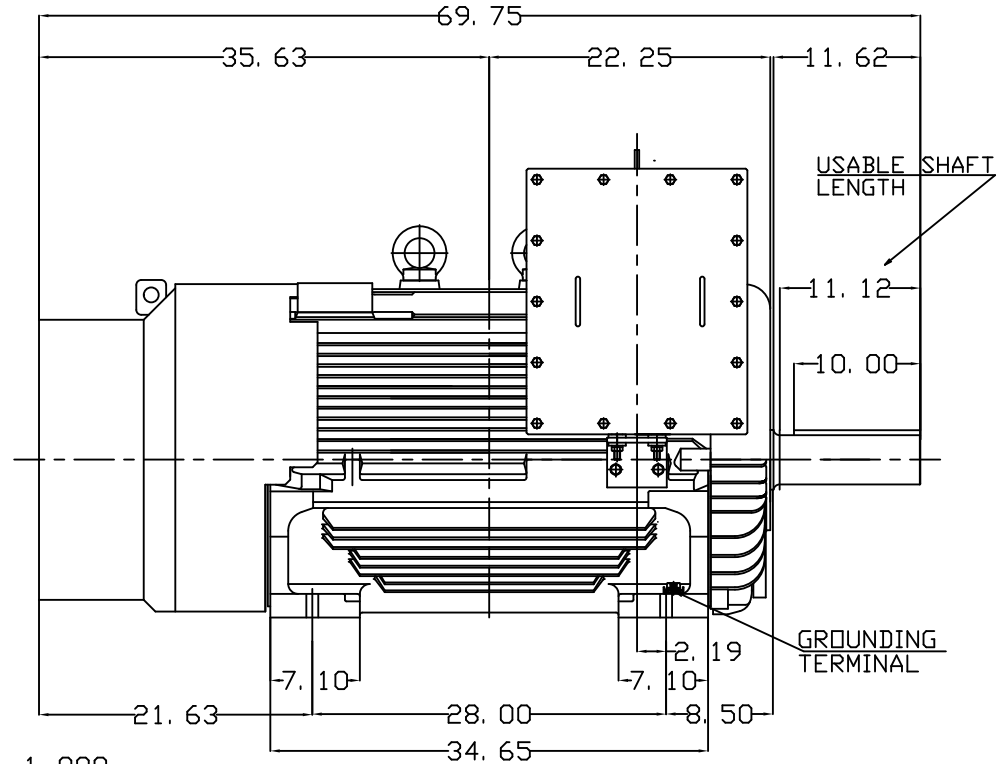
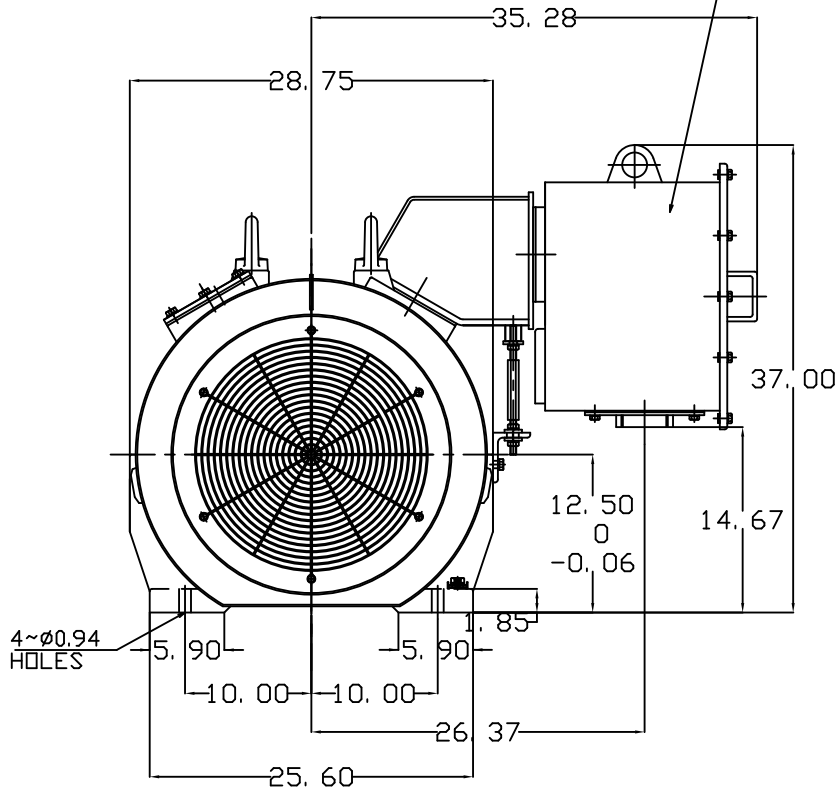


6 | 5 | 4 | 3 | 2 | 1

TYPE	OUTPUT		POLE	TIME RATING	VOLTAGE V	Hz	SYN.SPEED R.P.M
	HP.	KW.					
AEHE	250	186	8	CONT.	460	60	900

TOTALLY ENCLOSED FAN-COOLED TYPE, SQUIRREL-CAGE ROTOR

PRIMARY T-BOX
(NPT4")



NOTE:

- DIMENSIONS IN inch
- FRAME NO. 5009C
- F CLASS INSULATION, S.F.1.15
- FOR BELT DRIVE APPLICATIONS
- ENCLOSURE: IP55
- BEARING SIZE: DRIVE-END NU324
OPP. DRIVE-END 6320
- MOTOR APPROX. WEIGHT: 4000 lb

DATE	OUTLINE DIMENSIONS	
CATALOG # E2508R	3-PHASE INDUCTION MOTOR	
DWN. Y.DU MAR-19-2014	TECO Westinghouse	DWG NO. REV:00
CHKD. W.CHENG MAR-28-2014		4A040Y991
APPD. C.SHIH MAR-28-2014		

6 | 5 | 4 | 3 | 2 | 1