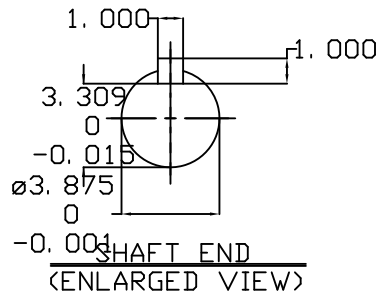
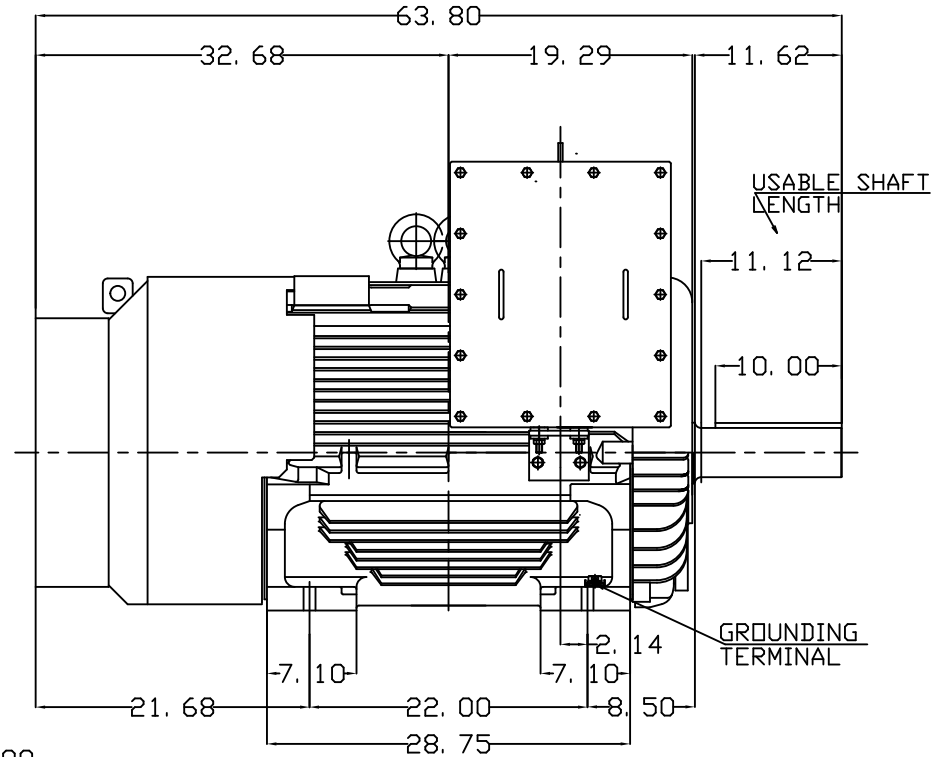
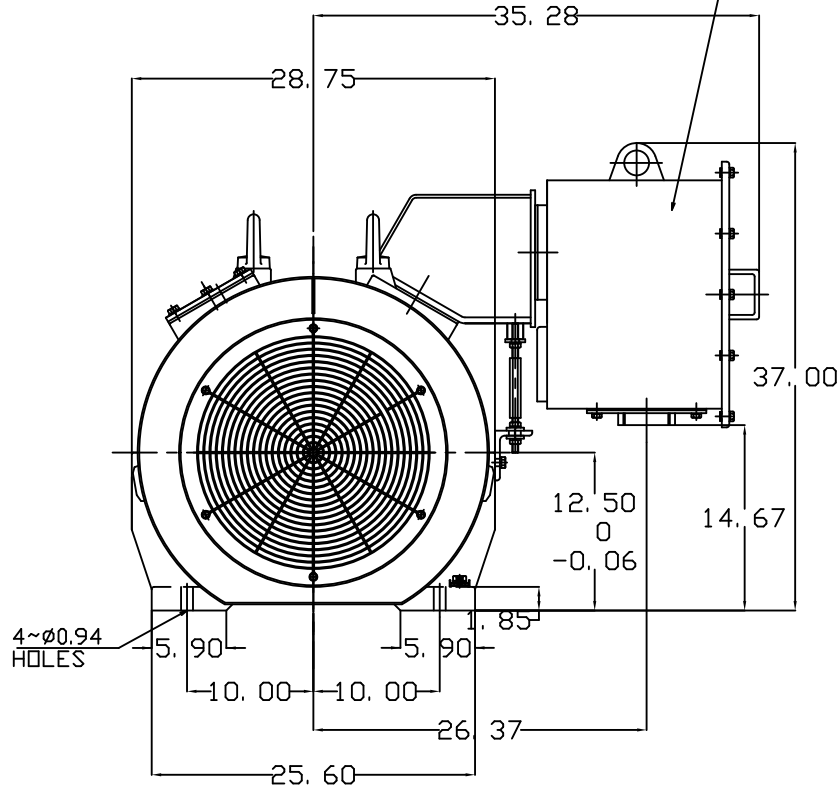


TYPE	OUTPUT		POLE	TIME RATING	VOLTAGE V	Hz	SYN.SPEED R.P.M
	HP.	KW.					
AEHE	200	149	8	CONT.	460	60	900

TOTALLY ENCLOSED FAN-COOLED TYPE, SQUIRREL-CAGE ROTOR

PRIMARY T-BOX  
(NPT4')



NOTE:

1. DIMENSIONS IN inch
2. FRAME NO. 5007C
3. F CLASS INSULATION, S.F.1.15
4. FOR BELT DRIVE APPLICATIONS
5. ENCLOSURE: IP55
6. BEARING SIZE: DRIVE-END NU324  
OPP. DRIVE-END 6320
7. MOTOR APPROX. WEIGHT: 3400 lb

DATE	OUTLINE DIMENSIONS
CATALOG # E2008R	3-PHASE INDUCTION MOTOR
DWN. Y.DU MAR-19-2014	DWG NO. REV:00
CHKD. W.CHENG MAR-28-2014	4A040Y985
APPD. C.SHIH MAR-28-2014	

TECO Westinghouse