

DATE  
February 16, 2004

OUTLINE DIMENSIONS  
3-PHASE INDUCTION MOTOR

MODEL TYPE:  
ASGA

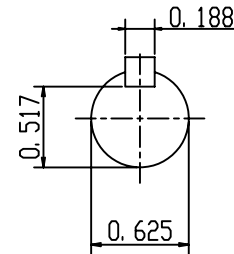
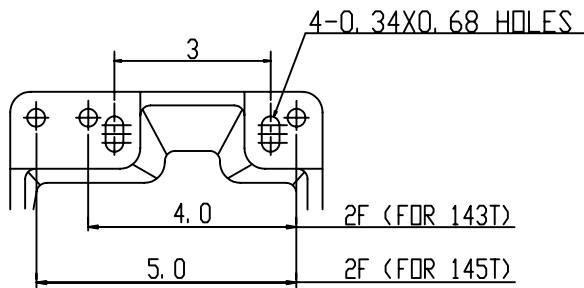
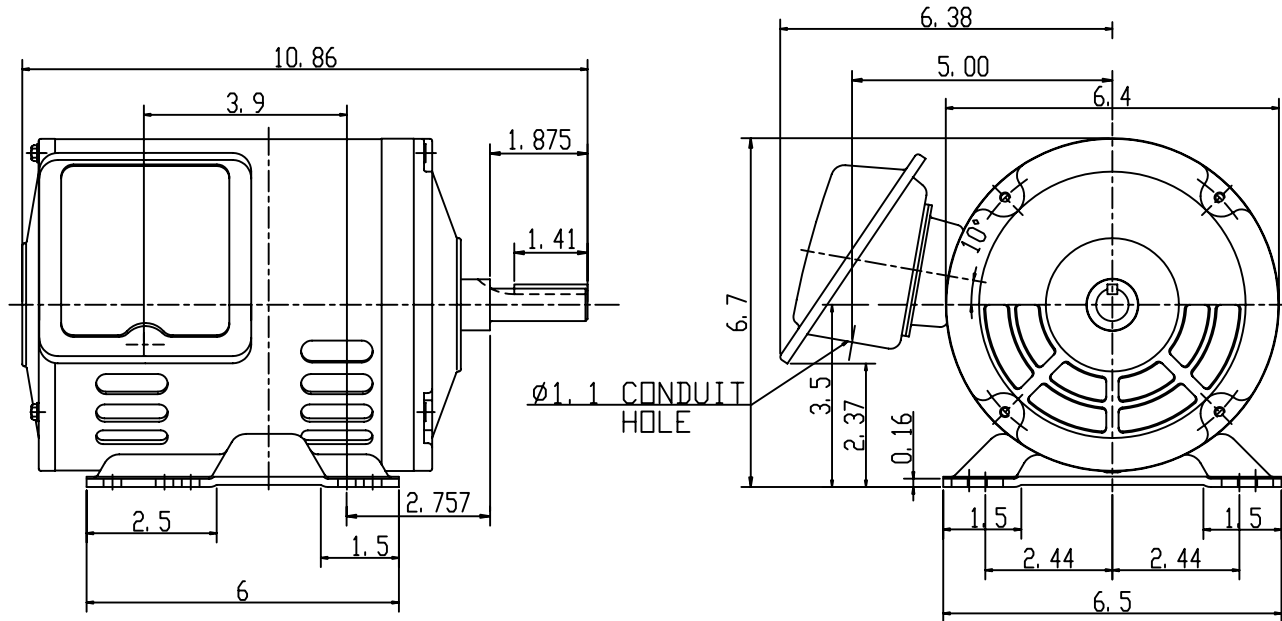
CATALOG NO.  
DSO/54

FRAME NO. A56

| Pole | HP  | KW  | Hz | VOLT    | Syn. Speed<br>R. P. M |
|------|-----|-----|----|---------|-----------------------|
| 4    | 1/2 | .37 | 60 | 230/460 | 1800                  |

| Ins. | Rating | Dimensions in | Approx Weight | Bearings               |
|------|--------|---------------|---------------|------------------------|
| F    | CONT.  | inch          | 22 lbs        | DE: 6205ZZ NDE: 6204ZZ |

OPEN DRIP - PROOF



SCALE=3: 1

|       |            |          |
|-------|------------|----------|
| APPD. | W. H. TSAI | 07 21 03 |
| CHKD. | J. B. CHEN | 07 20 03 |
| DWN.  | Y. Y. CHEN | 07 20 03 |

TEC   Westinghouse

DWG NO.  
31049Z105  
0825