

DATE
February 18, 2004
CATALOG NO.
DJM7/52

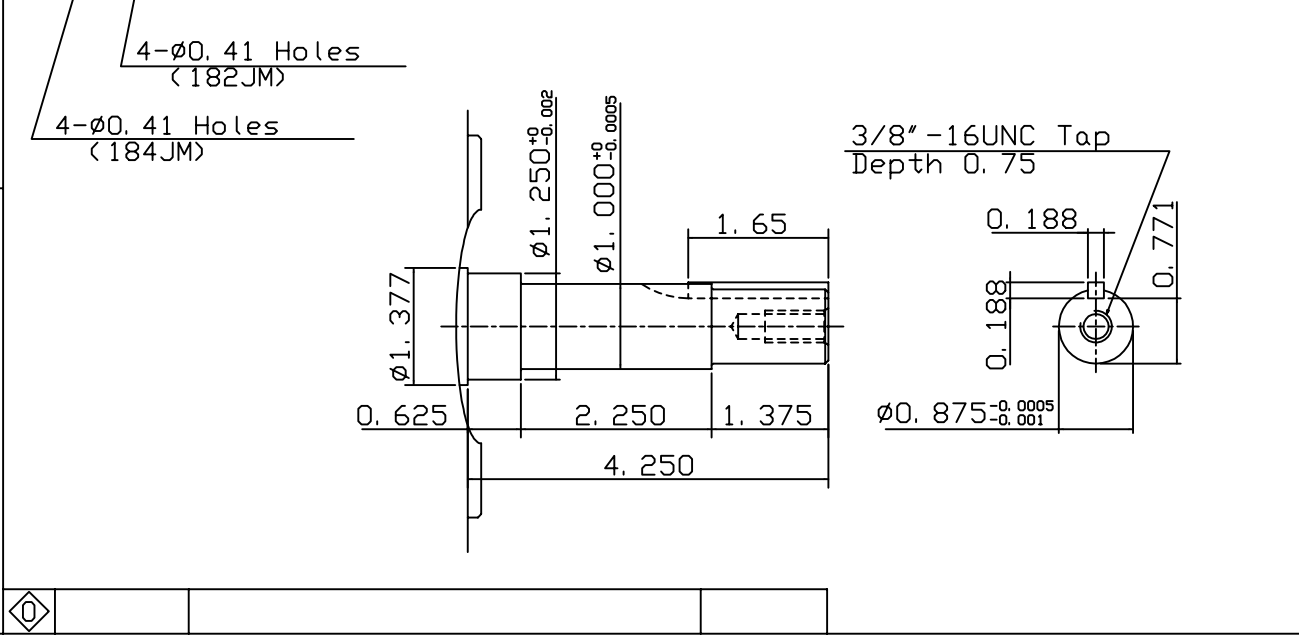
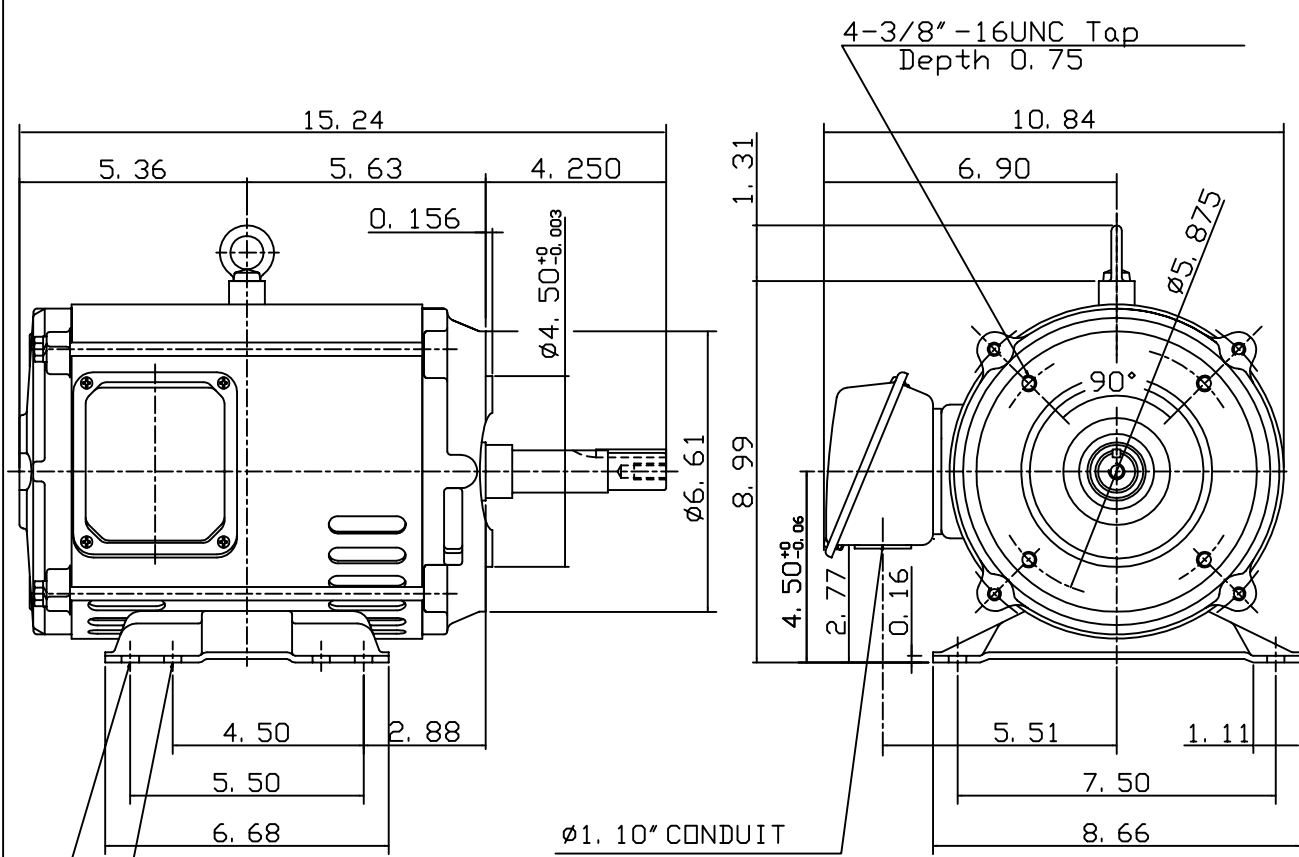
OUTLINE DIMENSIONS
3-PHASE INDUCTION MOTOR

MODEL TYPE:
ASGAJM
FRAME NO. 184JM

| Pole | HP | kW | Hz | VOLT | Syn. Speed r/min(rpm) |
|------|-----|-----|----|---------|--------------------------|
| 2 | 7.5 | 5.6 | 60 | 230/460 | 3600 |

| Ins | Rating | Dimension in | Approx Weight | Bearings |
|-----|--------|--------------|---------------|----------------------------|
| F | CONT. | inches | 89 lbs. | DE: 6207ZZC3 NDE: 6205ZZC3 |

Open Protected Drip-Proof Squirrel Cage Rotor.



| | | |
|-------|-------------|----------|
| DWN. | J. T. HWANG | 04-11-03 |
| CHKD. | J. S. JEAN | 04-11-03 |
| APPD. | Y. B. HUANG | 04-11-03 |



DWG NO.
31049U536533