

DATE
February 18, 2004
CATALOG NO.
DJM1/56

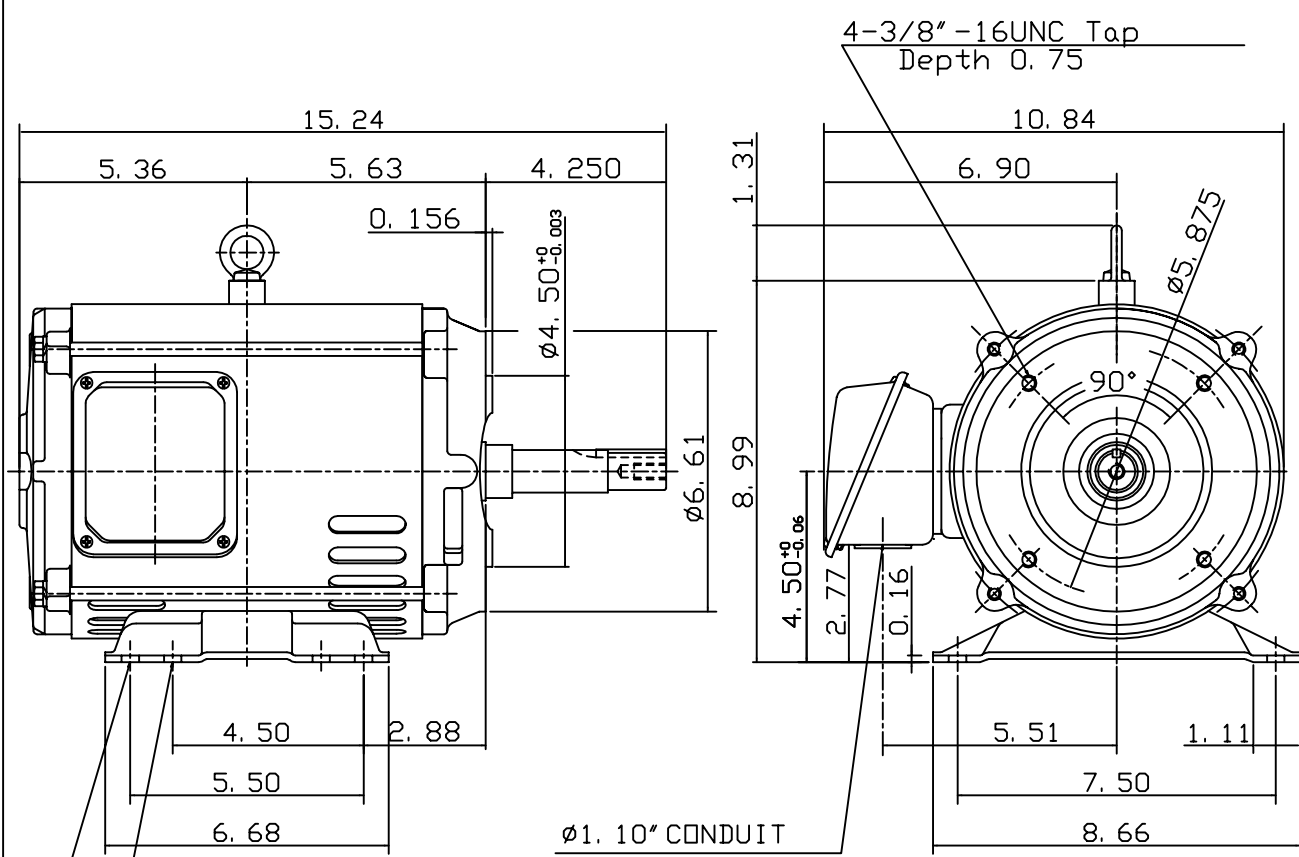
OUTLINE DIMENSIONS
3-PHASE INDUCTION MOTOR

MODEL TYPE:
ASGAJM
FRAME NO. 182JM

Pole	HP	kW	Hz	VOLT	Syn. Speed r/min(rpm)
6	1.5	1	60	230/460	1200

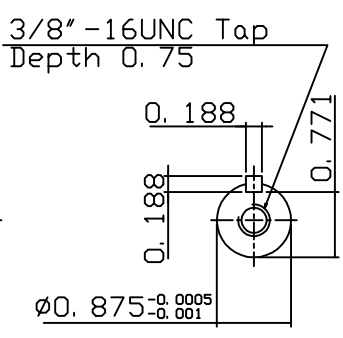
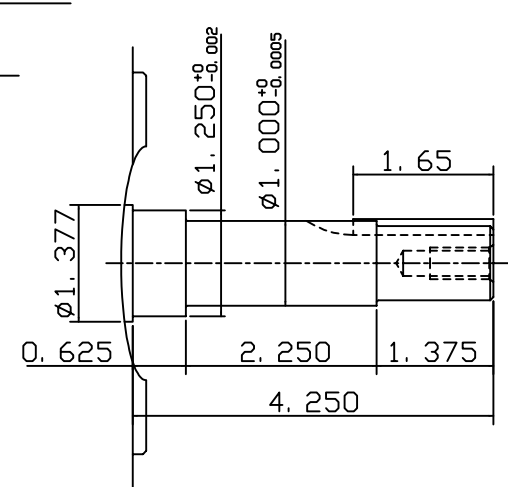
Ins	Rating	Dimension in	Approx Weight	Bearings
F	CONT.	inches	89 lbs.	DE: 6207ZZC3 NDE: 6205ZZC3

Open Protected Drip-Proof Squirrel Cage Rotor.



4- $\phi 0.41$ Holes
(182JM)
4- $\phi 0.41$ Holes
(184JM)

$\phi 1.10$ " CONDUIT



DWN.	J. T. HWANG	04-11-03
CHKD.	J. S. JEAN	04-11-03
APPD.	Y. B. HUANG	04-11-03



DWG NO.
31049U536532