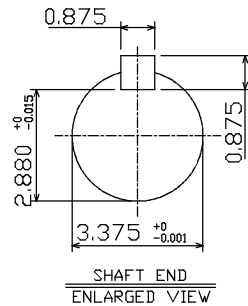
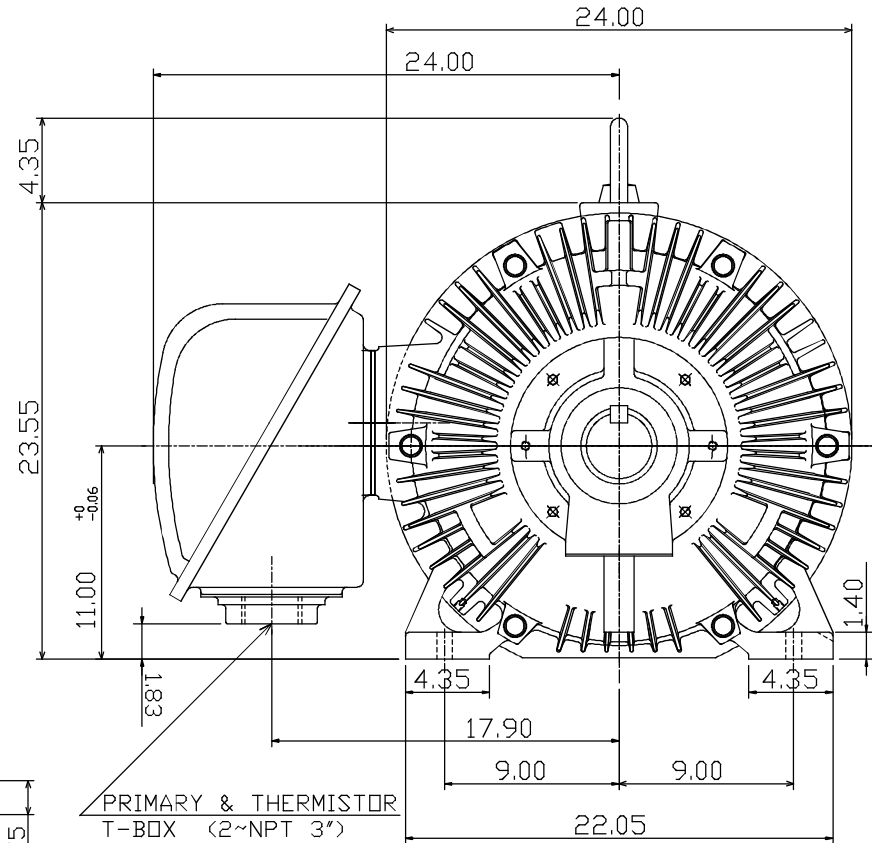
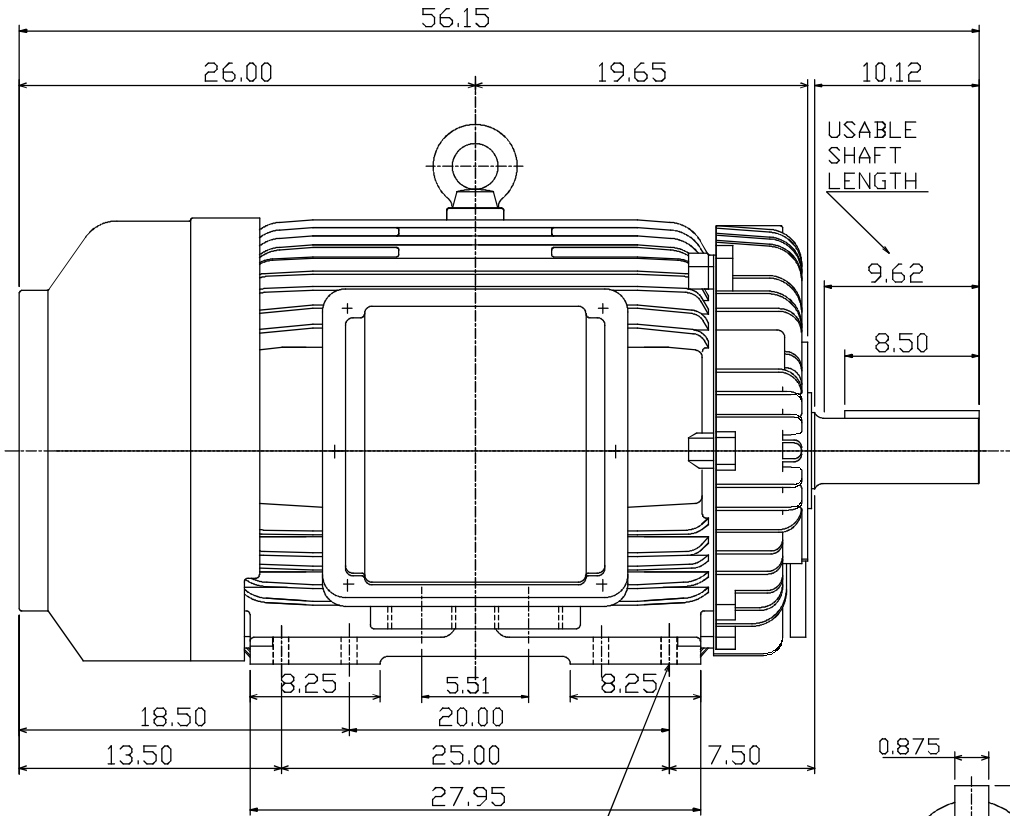


TYPE	OUTPUT		POLE	TIME RATING	VOLTAGE V	Hz	SYN.SPEED R.P.M
	HP.	kW.					
AEEAGD	300	224	6	CONT.	230/460	60	1200

TOTALLY ENCLOSED FAN-COOLED TYPE, SQUIRREL-CAGE ROTOR



PRIMARY & THERMISTOR T-BOX (2~NPT 3")

NOTE:

- DIMENSIONS IN INCHES
- FRAME NO. 449TZ
- F CLASS INSULATION, S.F.115
- FOR BELT SERVICE
- BEARING SIZE: DRIVE END: NU320C3
NON-DRIVE END: 6316C3
- ENCLOSURE: IP55
- WITH THERMISTOR: PTC 140°C 3PCS
- SHAFT MATERIAL: SCM440 Q&T (AISI 4140 EQUIV)
- CORROSION PROOF
- MOTOR APPROX. WEIGHT: 3100 LBS

8~13/16 HOLES

DWN.	C. RAM	DEC 01 2015
DWN.	S.LEE	DEC•22•2006
CHKD.	S.LEE	DEC•22•2006
APPD.	C.WANG	DEC•22•2006

CATALOG NO.
CD3006TR

TEC Westinghouse

OUTLINE DIMENSIONS
3-PHASE INDUCTION MOTOR

DWG NO. REV: 00
3B040R345