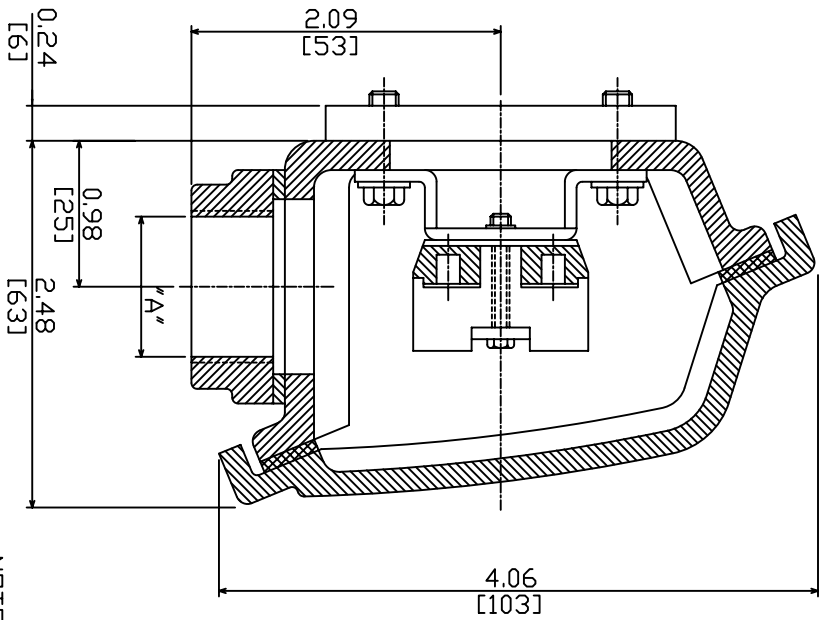
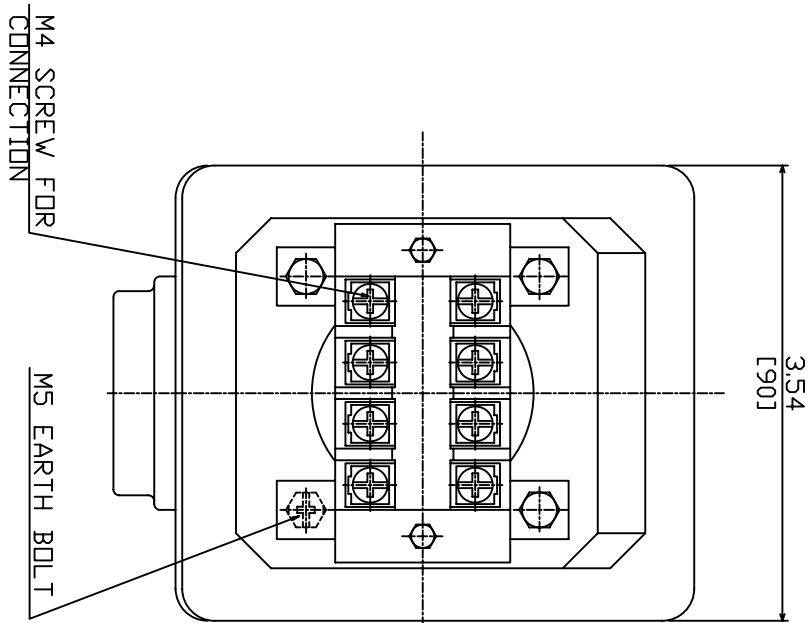


項	A
01	NPT - 0.75"
02	
03	
04	
05	
06	
07	
08	
09	
10	
11	



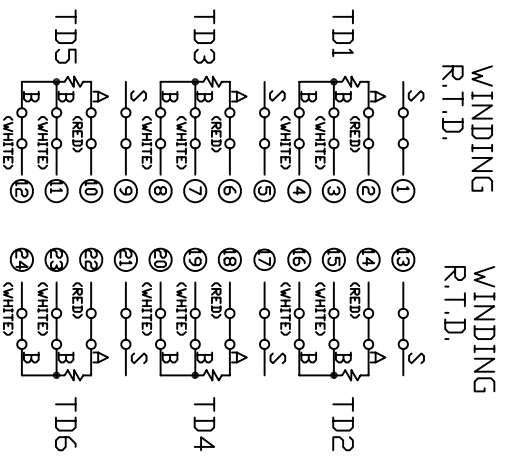
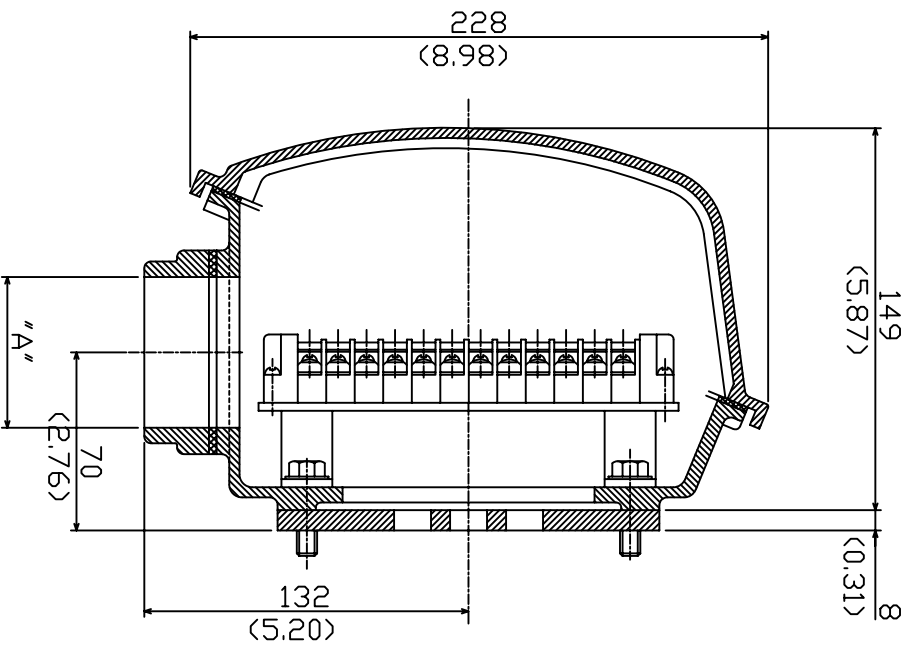
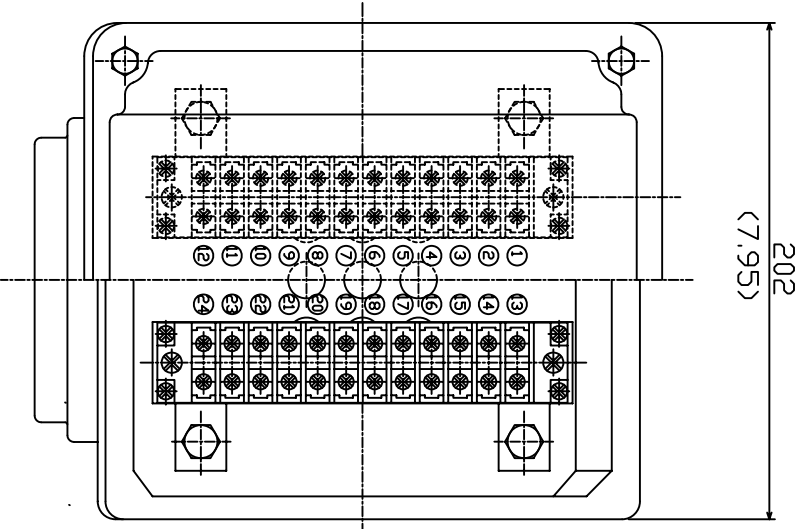
- NOTE:
1. DIMENSIONS IN INCHES [MM].
 2. TW-06
 3. SPACE HEATER T-BOX.
 4. ENCLOSURE:IP55.

DATE _____
 SCHEMATIC DRAWING
 TERMINAL BOX

DWN.	HHUANG	JUL - 19 - 2003
CHKD.	HHUANG	JUL - 19 - 2003
APPD.	C.WANG	JUL - 19 - 2003



DWG NO. 3A040U272
 REV: 02



- NOTE:
1. DIMENSION IN MILLICHESES.
 2. TW-36
 3. WINDING R.T.D. T-BOX.
 4. TD1 & TD2 FOR UKA) PHASE
TD3 & TD4 FOR V(B) PHASE
TD5 & TD6 FOR W(C) PHASE.
 5. ENCLOSURE:IP55

ITEM	A
01	NPT-1.5"
02	
03	
04	
05	
06	
07	
08	
09	
10	
11	
12	

DATE _____

SCHEMATIC DRAWING

TERMINAL BOX

DWN.	S. WANG	MAR-26-1999
CHKD.	J.PENG	MAR-29-1999
APPD.	A.WU	MAR-29-1999

TEG Westinghouse

DWG NO. 3A040D418

REV:09

6 5 4 3 2 1