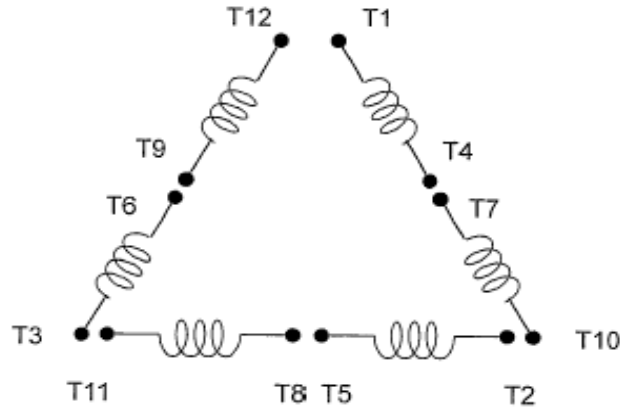


DATE:
July 26, 2005

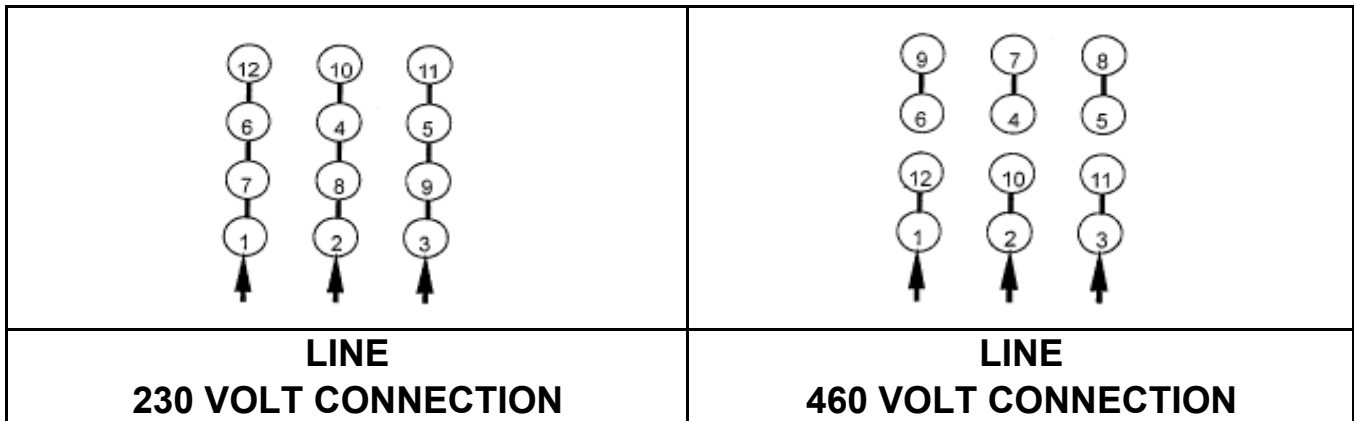
CONNECTION DIAGRAM

CATALOG NO.:
NV1002C

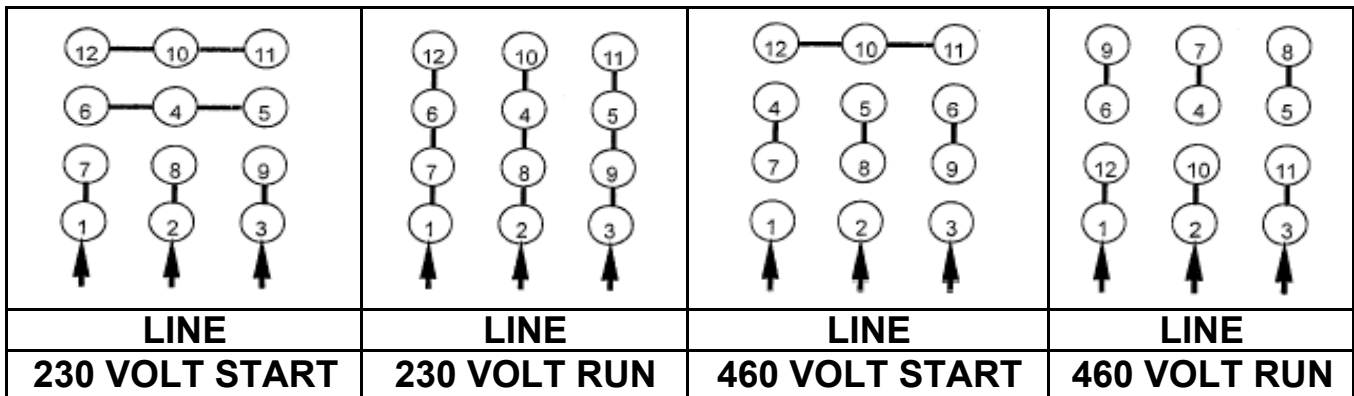


SCHEMATIC - Δ / Y CONNECTION

ACROSS THE LINE CONNECTION



WYE START-DELTA RUN CONNECTION



DWG NO.
DAC-1565-4