

A510

TECO

A510

Heavy-Duty AC Drive



1-100 hp (230V) • 1-200 hp (460V)

Control Mode Application and Selection Guide

The A510 Heavy Duty AC Drive is an easily configured versatile drive product that will control all general applications such as fans, pumps, conveyors, and mixers. It comes standard with a simple to select preset application parameters for many commonly used applications.

A preset application menu designed to simplify start-up is provided for the following applications:

- Pump
- Exhaust
- Compressor
- Crane
- Conveyor
- HVAC
- Hoist

Despite its simple and easy approach, the A510 is loaded with features to solve tough and demanding applications such as reciprocating pumps, compressors and high torque/ high inertia loads.

Advanced algorithms allow the A510 to perform tight and precise speed control when coupled with encoder feedback on the motor being controlled.

| Application Type | V/F Mode (Open-Loop) | V/F Mode with PG Feedback | SLV Sensorless Vector Mode | SV* Closed-Loop Vector Mode | PMSV* Closed-Loop Vector Mode w/ Permanent Magnet Motor |
|-----------------------|----------------------|---------------------------|----------------------------|-----------------------------|---|
| Fans and Blowers | x | | | | |
| Centrifugal Pumps | x | | | | |
| Mixers | x | | | | |
| Conveyors | x | x | x | | |
| Compressors | x | x | x | | |
| Hoist/ Elevator | | | x | x | |
| Stamping/ Punch Press | | | x | | |
| Dynamometers | | | x | x | |
| Extruders | | | x | x | |
| Injection Molding* | | | | x | |
| Web/ Roll Processes* | | | | x | x |
| Torque Trim | | | | x | x |
| Torque Control | | | | x | x |
| Indexing Operations* | | | | x | x |
| Positioning* | | | | x | x |
| Servo Functions* | | | | | x |
| Winder/ Unwinder | | | | x | |

* Requires optional PG encoder feedback.

Intelligent LCD Keypad

A complete keypad that will control, configure, and closely monitor the A510 unit as it controls operations.



| Display | Description |
|-----------------------|---|
| LCD Display | Monitor over 50 inverter signals, view/ edit parameters, fault/ alarm display |
| LED Indicators | |
| FAULT | LED ON when a fault or alarm is active. |
| FWD | LED ON when inverter is running in forward direction, flashing when stopping |
| REV | LED ON when inverter is running in reverse direction, flashing when stopping |
| SEQ | LED ON when RUN command is from the external control terminals or from serial communication |
| REF | LED ON when Frequency reference command is from the external control terminals or from serial communication |
| KEYS (8) | |
| RUN | RUN inverter in local mode |
| STOP | STOP inverter |
| ▲ | Parameter navigation up, increase parameter or reference value |
| ▼ | Parameter navigation down, decrease parameter or reference value |
| FWD / REV | Used to switch between Forward and Reverse direction |
| DSP / FUN | Used to scroll to next screen Frequency screen → Function selection → Monitor parameter |
| ◀ / RESET | Selects active seven segment digit for editing with the ▲▼ keys Used to reset fault condition. |
| READ / ENTER | Used to read and save the value of the active parameter |

Auto-Repeat Keys

Holding the ▲ UP or ▼ DOWN key for a longer period of time will initiate the auto-repeat function resulting in the value of the selected digit to automatically increase or decrease. LCD Operators Keypad can save the configuration file for easy upload/ download.

Applications

The A510 is loaded with features to solve these demanding applications and control more common ones such as fans, pumps, conveyors, and mixers. Demanding application examples are listed below.

■ Compressors

- High starting torque with sensorless vector mode
- Stable torque at low speed

■ Metals processing including industrial saws, punch press, and screw and bolt manufacturing

- Attains the high torques required by these applications
- Hardware design handles the high in-rush currents that are produced
- High braking torque and regenerative overvoltage protection

■ Machine tool operations such as grinding, milling and lathes

- Capable of output frequencies to 1200 Hz
- Smooth operation and minimal ripple at any speed
- High braking torque capabilities
- High resolution analog input for demanding precision

■ Plastics and rubber process machines such as extruders and rubber compounding

- Smooth operation at low speeds
- High starting torque to produce consistent product
- Hardware design handles the high in-rush currents that are produced

■ Cranes, hoists, and materials handling

- Four quadrant operation for motoring and regenerative situations
- High torque for instant lifting
- High braking torque, precise control and operation
- Easily incorporates mechanical and safety interlocks



Features & Highlights

- Selectable Control Modes designed to cover almost all motor driven applications
 - V/F Mode with constant and variable torque settings
 - V/F Mode with PG encoder feedback to improve speed regulation
 - Sensorless Vector for more dynamic applications
 - Closed Loop Vector for the most demanding applications involving both speed and torque control
 - 1000:1 Speed control range
 - 5% Torque regulation
 - Closed Loop Vector with Permanent Magnet Motors for servo-type control
- Attains high levels of torque
 - 200% Starting torque in sensorless vector mode
 - 200% Holding torque in closed-loop vector mode
- Select matching application type for quick setting of parameter defaults
- Advanced regenerative energy handling capabilities with overvoltage suppression
 - Reduce the need for costly braking resistor units
- Extensive Monitoring and Display capabilities
 - Display over 40 different operating and status information variables including
 - Input and output frequencies
 - Output current and voltage
 - Analog and digital I/O status
 - PID related data
 - Vector PID loop control information
 - Motor operating data
 - Retains 4 most recent faults in a log
 - Operating information at instant of occurrence of most recent fault
- PLC functionality built-in to enhance application flexibility
- Advanced tuning/ motor matching capabilities
 - Control induction or permanent magnet motors
 - 5th generation tuning algorithms for optimized vector control and motor coordination
 - Dynamic tuning
 - Static tuning
- Pulse Width Modulation (PWM) technology that reduces motor noise
- 32 Bit, 100 MHz processor for extremely fast response
- Digital I/O
 - 8 configurable digital inputs
 - 24V power on board
 - Over 40 available selections per input
 - Assign each input as a normally open or closed input
 - Fast update time

Features & Highlights - Continued

- 3 digital outputs
 - 1 form C relay and 1 form A relay (3 hp @ 230V, 5 hp @ 460V and higher)
 - 1 photocoupler output (Quantity 2 at 1-2 hp @ 230V, 1-3 hp @ 460V)
 - All digital outputs are assignable as normally open or normally closed contacts
- Safety input contact for user's interlock circuit
- Analog I/O
 - Qty 2 Analog inputs
 - One channel selectable as 0-10V or -10-0-10V
 - One channel selectable as 0-10V or 4-20ma
 - Assignable as speed reference, PID feedback, gains, bias, and torque control-related parameters
 - Qty 2 0-10V analog outputs
 - Over 25 assignable selections for each channel
 - Assignable gain and bias on each channel
- Pulse I/O
 - 1 pulse input channel capable of up to 32 kHz
 - 1 pulse output channel capable of up to 32 kHz
 - Can sync channels between A510 units for primary/ secondary configuration



Models and Ratings

230VAC

| Model No. | HP | | Amps | | Height | Width | Depth | Approx. Weight | Diagram |
|-----------------|-----------------|-----------------|-----------------|-----------------|-----------|-----------|-------------|----------------|---------|
| | Constant Torque | Variable Torque | Constant Torque | Variable Torque | In/mm | In/mm | In/mm | Lbs/Kg | |
| A510-2001-C*† | 1 | 1.5 | 5.0 | 6.0 | 9.61/244 | 5.12/130 | 5.91/150 | 5.5/2.5 | A |
| A510-2002-C*† | 2 | 3 | 8.0 | 9.6 | 9.61/244 | 5.12/130 | 5.91/150 | 5.5/2.5 | A |
| A510-2003-C*† | 3 | 3 | 11.0 | 12.0 | 12.40/315 | 5.51/140 | 6.97/177 | 8.8/4.0 | A |
| A510-2005-C3† | 5 | 7.5 | 17.5 | 21.0 | 12.40/315 | 5.51/140 | 6.97/177 | 8.8/4.0 | A |
| A510-2008-C3† | 7.5 | 10 | 25.0 | 30.0 | 11.81/300 | 8.27/210 | 8.46/215 | 13.6/6.2 | B |
| A510-2010-C3† | 10 | 15 | 33.0 | 40.0 | 11.81/300 | 8.27/210 | 8.46/215 | 13.6/6.2 | B |
| A510-2015-C3† | 15 | 20 | 47.0 | 56.0 | 14.17/360 | 10.43/265 | 8.86/225 | 22.0/10 | B |
| A510-2020-C3† | 20 | 25 | 60.0 | 69.0 | 14.17/360 | 10.43/265 | 8.86/225 | 22.0/10 | B |
| A510-2025-C3† | 25 | 30 | 73.0 | 79.0 | 14.17/360 | 10.43/265 | 8.86/225 | 22.0/10 | B |
| A510-2030-C3 | 30 | 40 | 85.0 | 110 | 20.67/525 | 11.18/284 | 9.92/252 | 66.1/30 | C |
| A510-2040-C3 | 40 | 50 | 115 | 138 | 20.67/525 | 11.18/284 | 9.92/252 | 66.1/30 | C |
| A510-2050-C3‡** | 50 | 60 | 145 | 169 | 22.83/580 | 13.54/344 | 11.81/300 | 89.1/40.5 | D |
| A510-2060-C3‡** | 60 | 75 | 180 | 200 | 22.83/580 | 13.54/344 | 11.81/300 | 89.1/40.5 | D |
| A510-2075-C3‡** | 75 | 100 | 215 | 250 | 31.10/790 | 18.08/459 | 12.78/324.5 | 162.8/74 | D |
| A510-2100-C3‡** | 100 | 125 | 283 | 312 | 31.10/790 | 18.08/459 | 12.78/324.5 | 162.8/74 | D |

460VAC

| Model No. | HP | | Amps | | Height | Width | Depth | Approx. Weight | Diagram |
|-----------------|-----------------|-----------------|-----------------|-----------------|-----------|-----------|-------------|----------------|---------|
| | Constant Torque | Variable Torque | Constant Torque | Variable Torque | In/mm | In/mm | In/mm | Lbs/Kg | |
| A510-4001-C3† | 1 | 2 | 3.4 | 4.1 | 9.61/244 | 5.12/130 | 5.91/150 | 5.5/2.5 | A |
| A510-4002-C3† | 2 | 3 | 4.2 | 5.4 | 9.61/244 | 5.12/130 | 5.91/150 | 5.5/2.5 | A |
| A510-4003-C3† | 3 | 3 | 5.5 | 6.9 | 9.61/244 | 5.12/130 | 5.91/150 | 5.5/2.5 | A |
| A510-4005-C3† | 5 | 7.5 | 9.2 | 11.1 | 12.40/315 | 5.51/140 | 6.97/177 | 8.8/4.0 | A |
| A510-4008-C3† | 7.5 | 10 | 14.8 | 17.5 | 12.40/315 | 5.51/140 | 6.97/177 | 8.8/4.0 | A |
| A510-4010-C3† | 10 | 15 | 18 | 23 | 11.81/300 | 8.27/210 | 8.46/215 | 13.6/6.2 | B |
| A510-4015-C3† | 15 | 20 | 24 | 31 | 11.81/300 | 8.27/210 | 8.46/215 | 13.6/6.2 | B |
| A510-4020-C3† | 20 | 25 | 31 | 38 | 14.17/360 | 10.43/265 | 8.86/225 | 22.0/10 | B |
| A510-4025-C3† | 25 | 30 | 39 | 44 | 14.17/360 | 10.43/265 | 8.86/225 | 22.0/10 | B |
| A510-4030-C3† | 30 | 40 | 45 | 58 | 14.17/360 | 10.43/265 | 8.86/225 | 22.0/10 | B |
| A510-4040-C3 | 40 | 50 | 60 | 72 | 20.67/525 | 11.18/284 | 9.92/252 | 66.1/30 | C |
| A510-4050-C3 | 50 | 60 | 75 | 88 | 20.67/525 | 11.18/284 | 9.92/252 | 66.1/30 | C |
| A510-4060-C3 | 60 | 75 | 91 | 103 | 20.67/525 | 11.18/284 | 9.92/252 | 66.1/30 | C |
| A510-4075-C3‡** | 75 | 100 | 118 | 145 | 22.83/580 | 13.7/344 | 11.81/300 | 89.3/40.5 | D |
| A510-4100-C3‡** | 100 | 125 | 150 | 165 | 22.83/580 | 13.7/344 | 11.81/300 | 89.3/40.5 | D |
| A510-4125-C3‡** | 125 | 150 | 180 | 208 | 31.10/790 | 18.08/459 | 12.78/324.5 | 163.1/74 | D |
| A510-4150-C3‡** | 150 | 200 | 216 | 250 | 31.10/790 | 18.08/459 | 12.78/324.5 | 163.1/74 | D |
| A510-4215-C3‡** | 200 | 250 | 295 | 328 | 31.10/790 | 18.08/459 | 12.78/324.5 | 163.1/74 | D |

‡ Models include built-in DC Link Reactor.

† Models include built-in braking transistor.

* Models accept single or 3-phase 230V input.

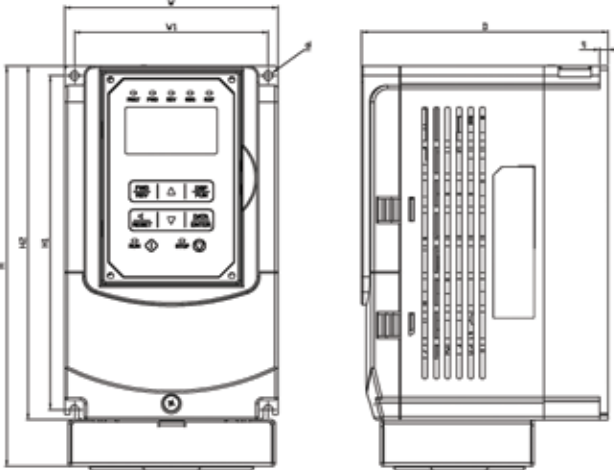
** Models are chassis-rated (IP00). NEMA 1 kits are available as options.

Constant Torque: 150% for 1 minute

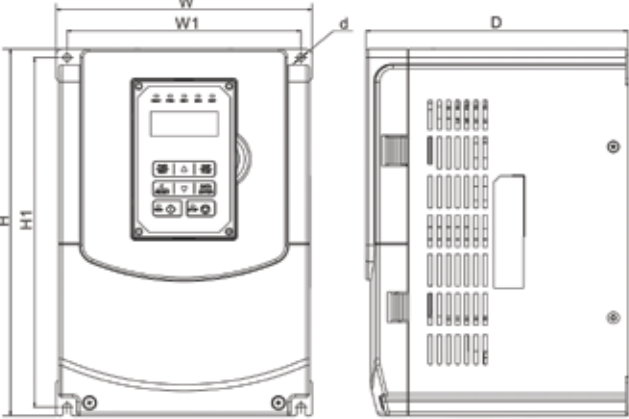
Variable Torque: 120% for 1 minute

Dimensional Diagrams

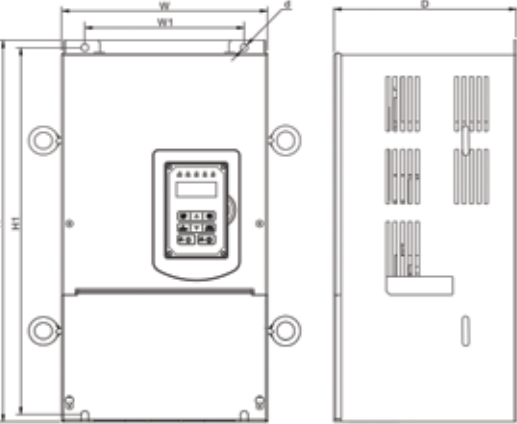
A 1-5 hp, 220V/ 1-7.5 hp, 440V (IP20/ NEMA 1)



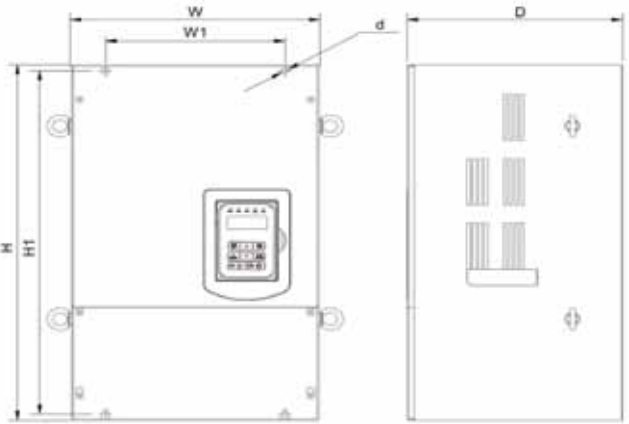
B 7.5-25 hp, 230V/ 10-30 hp, 460V (IP20/ NEMA 1)



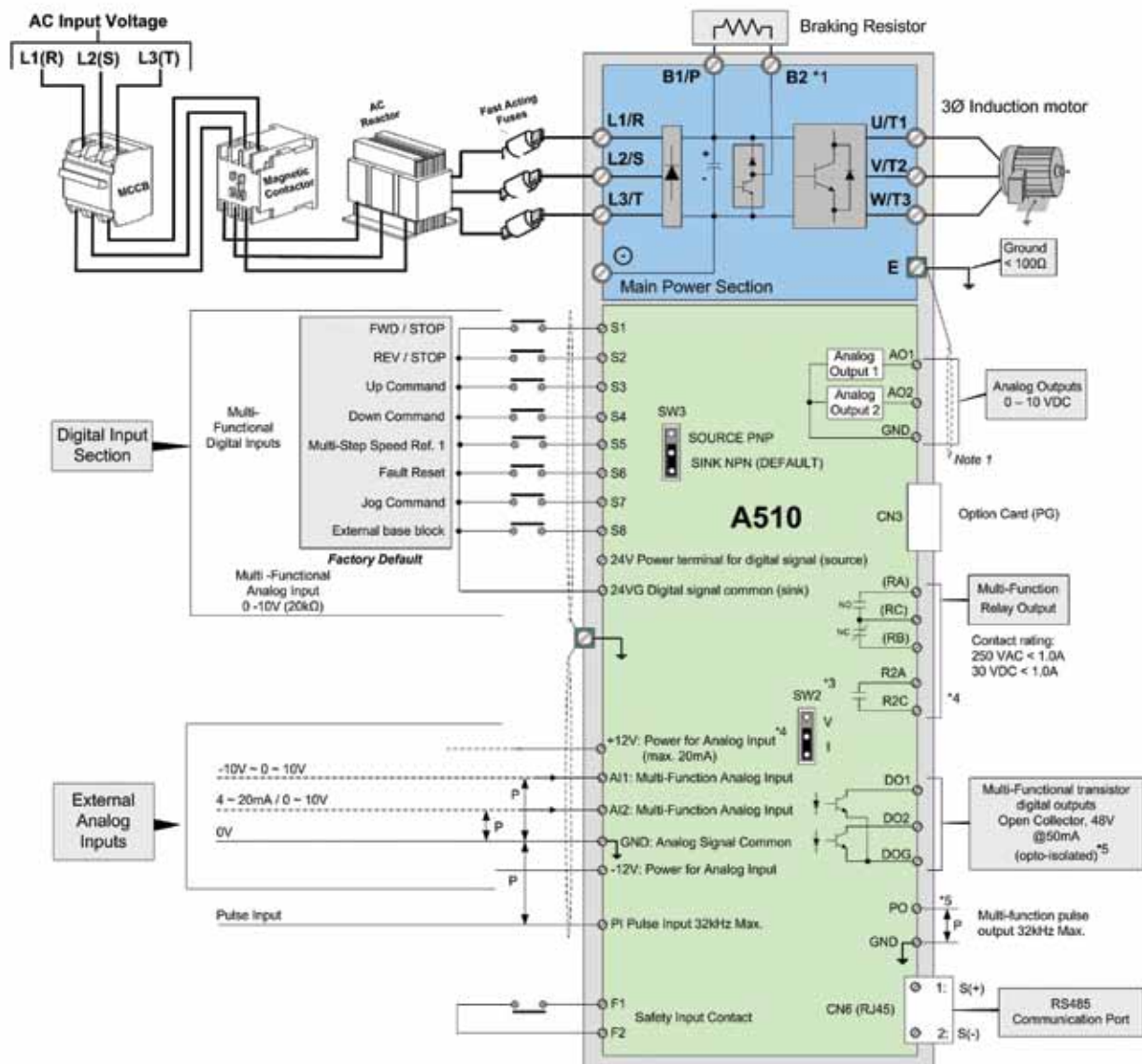
C 30-40 hp, 230V/ 40-60 hp, 460V (IP20/ NEMA 1)



D 50-100 hp, 220V/ 75-215 hp, 440V (IP00)



Connection Diagram



*1 - Models at 230V, 25 hp and lower (460 VAC, 30 hp and lower) have a built-in braking transistor.

*3 - Switch SW2 selects 0-10V (V-position) or 4-20ma (I position) for analog input 2

*4 - Terminals - 12V, R2A, R2C are available on all models $t \geq 3$ hp at 230V and ≥ 5 hp at 460V

*5 - Terminal DO2 is available on all models < 3 hp at 230V and < 5 hp at 460V

Operating Features and Characteristics

| Operation Mode | LCD keypad with parameter copy function |
|---|---|
| Control mode | V/F, V/F+PG, SLV, SV, PMSV with space vector PWM mode |
| Frequency control range | 0.1Hz ~ 400.0Hz (1200.0Hz with special parameter setting) |
| Frequency accuracy (Temperature change) | Digital references: $\pm 0.01\%$ (-10~+40°C), Analog references: $\pm 0.1\%$ (25°C $\pm 10^\circ\text{C}$) |
| Speed control accuracy | $\pm 0.1\%$ (closed loop vector control), $\pm 0.5\%$ (sensorless vector mode) |
| Frequency setting resolution | Digital references: 0.01Hz, Analog references: 0.06Hz/60Hz |
| Output frequency resolution | 0.01Hz |
| Overload Tolerance rated output current | 150%/1 min, 200%/2sec (C.T. mode), 120%/1 min (V.T. mode), factory setting of 150%/1 min, 200%/2 sec |
| Frequency setting signal | 0 ~ +10VDC/4 ~ 20mA or -10VDC ~+10VDC and pulse-type frequency command |
| Acceleration/ deceleration time | 0.0~6000.0 sec (separately set acceleration and deceleration times) |
| Voltage, frequency characteristics | Can set custom V/ F-curve based on parameters |
| Braking torque | Approx. 20% |
| Main control functions | Auto tuning, shaft lock, torque control, position control, droop control, soft-switching in PWM, over-voltage protection, dynamic braking, speed search, frequency traversing, instantaneous power fault restart, PID control, automatic torque compensation, slip compensation, RS-485 communication MODBUS standard, speed feedback control, simple PLC functionality, 2 sets of analog output, safety switch interlock |
| Additional control functions | Record of elapsed power-up and operation times, 4 most recent occurrences of faults and the most recent fault record, status, energy-saving function setting, single phasing protection, smart braking, DC braking, dwell, S-curve acceleration and deceleration, Up / Down operation, MODBUS communication type, scale pulse output, engineering unit display, Local/ remote switching keys, SINK/ SOURCE input interface options, stall protection Action: current can be set (in acceleration or constant speed state) |

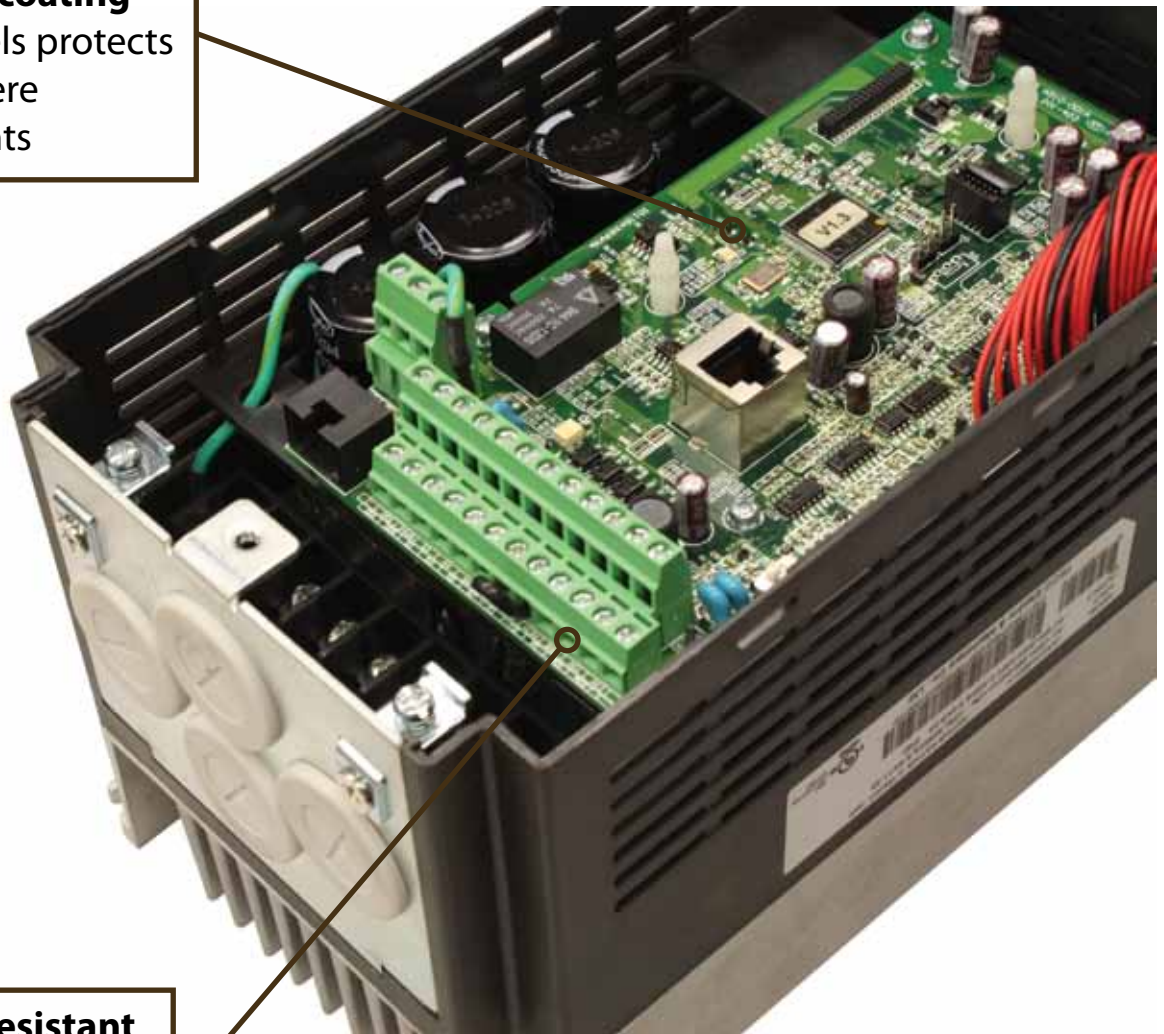
Operations Features and Characteristics - Continued

| Operation Mode | | LCD keypad with parameter copy function |
|------------------------------|--|--|
| Protection Features | Stall protection | Threshold current can be set (in acceleration or constant speed, it can be set separately. In deceleration, it can be set on or off) |
| | Instantaneous Over Current (OC) and output Short Circuit (SC) protection | Inverter shuts off when the current exceeds 200% of the inverter related current. |
| | Inverter Overload protection (OL2) | Inverter rated current is 150%/1 min., at 200%/2 sec, inverter stops (C.T. type), carrier frequency factory setting is 8~2 kHz. At 120%/1 min, inverter stops (V.T. type), carrier frequency factory setting is 2 kHz. |
| | Motor Overload (OL1) protection | Electrical overload protection curve |
| | Over Voltage (OV) protection | When the main circuit DC voltage exceeds 410V (230V units)/ 820V (460V units), the drive faults out regardless of whether it is in run mode or stopped. |
| | Under Voltage (UV) | When the main circuit DC voltage is under 190V (230V units)/ 380V (460V units), the drive faults out regardless of whether it is in run mode or stopped. The DC voltage trigger level can be adjusted. |
| | Automatic restart after instantaneous power fault | Power fault exceeds 15 ms. This is programmable to 2 seconds. |
| | Overheat protection (OH) | By direct temperature detection in the unit |
| | Ground Fault protection (GF) | Uses current feedback for protection |
| | Protection in charge state | When main circuit DC voltage exceeds 50V, the "CHARGE" LED is on. |
| | Output Phase Loss Protection (OPL) | Automatically stops motor rotation and faults |
| Environmental Specifications | Location | Indoor (protected from corrosive gases and dust) |
| | Ambient temperature | -10~+40°C without de-rating (IP20/NEMA1), -10~+50°C (IP00), with de-rating, its maximum operation temperature is 60°C |
| | Storage temperature | -20~+70°C |
| | Humidity | 95%RH or less (no condensation) |
| | Altitude and vibration | Altitude of 1,000 m (3,300 ft) or lower, vibration below 5.9m/ s ² (0.6G) |
| Communication function | RS-485 standard with built-in (MODBUS) (RJ45) | |
| PLC function | Built-in | |
| EMI protection | The added noise filter complies with EM61800-3, 460V, 215 hp or below can be built-in. | |
| EMS protection | Follows EN61800-3 | |
| Option | Open Collector/ Line Driver/ PG encoder feedback card | |

Protection Features

- ASIC designed to protect transistor modules from impact of sudden or rapidly changing current
- EMC filters are available to all 460VAC rated models. Please consult factory.
- Regenerative energy control and overvoltage prevention

Conformal coating
for all models protects
against severe
environments



Vibration-resistant
structure reinforces
the connected part
by tenon.

Programmable Logic Control (PLC) Capabilities

Applications with more demanding or complex requirements or restrictions on operation can be met with simple PLC functions used directly in the drive unit. For example, the application may be triggered by special operation sequencing or multiple independent events. Another possibility for the PLC functions is a system with permissives that cannot be adequately incorporated directly through the I/O alone.

The PLC function features many types of instruction blocks that will build a ladder logic program.

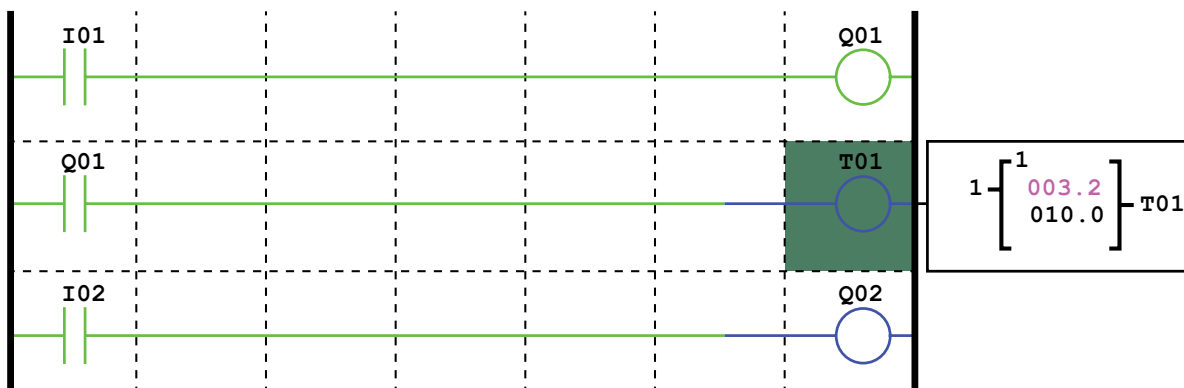
■ Software relay functions

- Input contacts
- Output coils
- Internal software coils
- Normally open, normally closed, and edge-triggered contacts

■ Numerical function blocks

- Counters (count up or count down to preset value)
- On-delay, off-delay, and on-off interval timing
- Analog comparator to trigger an event when an analog input or internal numerical value is above, below, or within range of a set value
- Operation control functions to run the driven motor
- Add/ subtract and multiply/ divide blocks for signal scaling and conditioning

Example: Relay and Timer Functions



Options and Accessories

PG Encoder cards provide highly accurate speed feedback. The Encoder cards mount inside the cover of the drive for installing and wiring convenience. The following type of encoder cards are available.

| | |
|--------------|--|
| M/N JN5-PG-L | Encoder feedback card for a line driver type encoder |
| M/N JN5-PG-O | Encoder feedback card for open collector or complementary type encoder |



The A510 product has a standard RS485 port with RTU Modbus protocol. An optional card for Profibus Communications is available.

| | |
|----------------|--------------------------------|
| M/N JN5-CM-PDP | Profibus Communications Module |
|----------------|--------------------------------|

Extension cables for remote mounting of the operator's keypad. Select cables below according to the desired distance from the Drive.

| | |
|------------|----------|
| JN5-CB-01M | 1 Meter |
| JN5-CB-02M | 2 Meters |
| JN5-CB-03M | 3 Meters |
| JN5-CB-05M | 5 Meters |

The A510 product has a standard LCD operators keypad. An optional LED type keypad is also available.

| | |
|------------|--|
| JN5-OP-AO1 | LED Keypad |
| JN5-CU | Copy module for fast uploading/ downloading of parameters to multiple drives |

NEMA 1 adaptor kits are available for the larger size drives that are built as IP20 units

| | |
|------------|--|
| JN5-NK-A06 | Adaptor kit for 230V 50-60 hp and 460V 75-100 hp |
| JN5-NK-A07 | Adaptor kit for 230V 75-100 hp and 460V 125-200 hp |

Configured Packages

HVAC Packages

TECO-Westinghouse offers a complete line of packaged drives, including bypass packages for fan and pump applications.

Features

- UL508A
- Packages up to 1000 hp available
- Available in multiple disconnect options
- Two or three contactor and soft start bypass
- Custom design packages
- Wide range of harmonic filters available to meet IEEE 519-1992
- NEMA 1, NEMA 12, NEMA 3R standard
- NEMA 4 & 4X available (custom order)
- Duplex - multiplex packages available
- Packages designed to customer specifications



Applications

- Fans
- Chillers
- Refrigeration
- Compressors
- Air handlers
- Pumps

Industrial Packages

TECO-Westinghouse additionally offers packaged drives to suit even robust industrial applications.

Features

- NEMA 1, NEMA 12, NEMA 3R standard
- UL508A
- Packages up to 1000 hp
- Available in multiple disconnect options
- NEMA 4, 4X available (custom order)
- Special designs to meet tight spacing requirements

Applications

- Conveyors
- Compressors
- Mixers
- Stamping/ punch press



TECO **Westinghouse**

TECO-Westinghouse Motor Company offers an extensive line of Variable Speed Drives and Soft Starters for your motor control applications.

We also offer a wide variety of motors that are matched with the Drives and Soft Starters including Vertical Hollow Shaft, Rolled Steel, and NEMA Premium Efficient motors.

From “in stock” controls to engineered systems, we can provide you the right control solution including an extensive line of TECO-Westinghouse AC Motors.



5100 N. IH-35
Round Rock, Texas 78681
1-800-279-4007

www.tecowestinghouse.com

D-A510 6-13

