

1 2 3 4 5 6 7 8

A

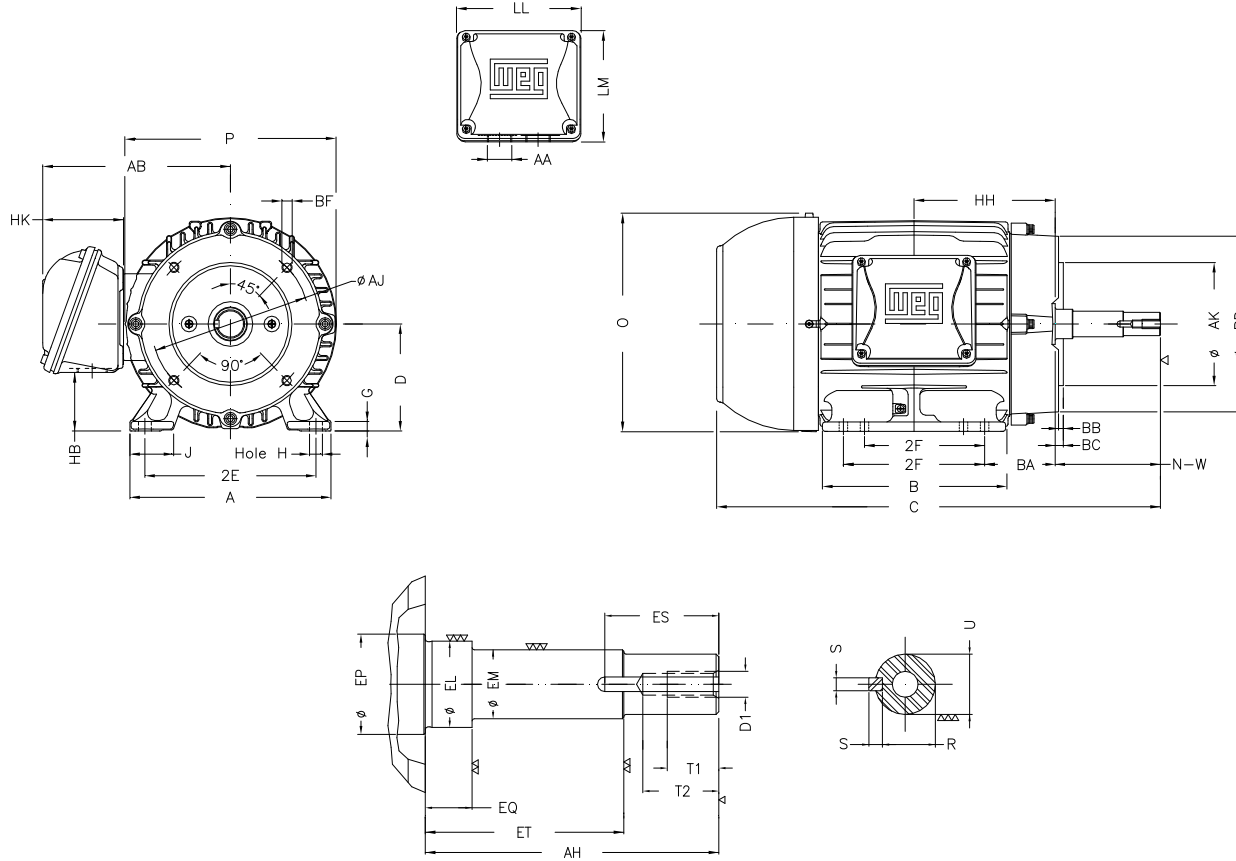
B

C

D

E

F



Notes: Downloaded from <http://dealerselectric.com>  
Generated for Model #00156ET3E143JP-W22

Performed by:

Checked:

Customer:

Close Coupled Pump: Three-Phase - W22 "JP" Type - TEFC - NEMA Premium

|   |             |  |
|---|-------------|--|
| Three-phase induction motor<br>Frame 143/5JP - IP55 | 12-SEP-2016 |  |
|---|-------------|--|

|                   |                  |                |                    |             |
|-------------------|------------------|----------------|--------------------|-------------|
| 2E<br>5.500       | J<br>1.437       | A<br>6.457     | P<br>7.047         | AB<br>6.260 |
| 2F<br>4.000/5.000 | B<br>6.142       | BA<br>2.560    | D<br>3.500         | G<br>0.354  |
| O<br>7.122        | H<br>0.344       | AA<br>NPT 3/4" | EQ<br>1.563        | ET<br>5.941 |
| U<br>0.874        | EM<br>1.000      | EL<br>1.156    | EP<br>1.179        | ES<br>1.654 |
| t1<br>0.748       | t2<br>1.102      | C<br>18.736    | d1<br>EUNC 3/8"-16 | HH<br>4.750 |
| HK<br>2.638       | HB<br>1.787      | LL<br>4.528    | LM<br>4.094        | S<br>0.187  |
| R<br>0.768        | Flange<br>FC-149 | AJ<br>5.874    | AK<br>4.500        | BD<br>6.496 |
| BF<br>UNC 3/8"x16 | BB<br>0.157      | AH<br>7.319    |                    |             |