

DATE  
OCTOBER 27, 2009  
CAT. #: GP0026C

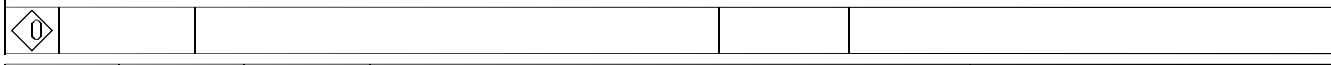
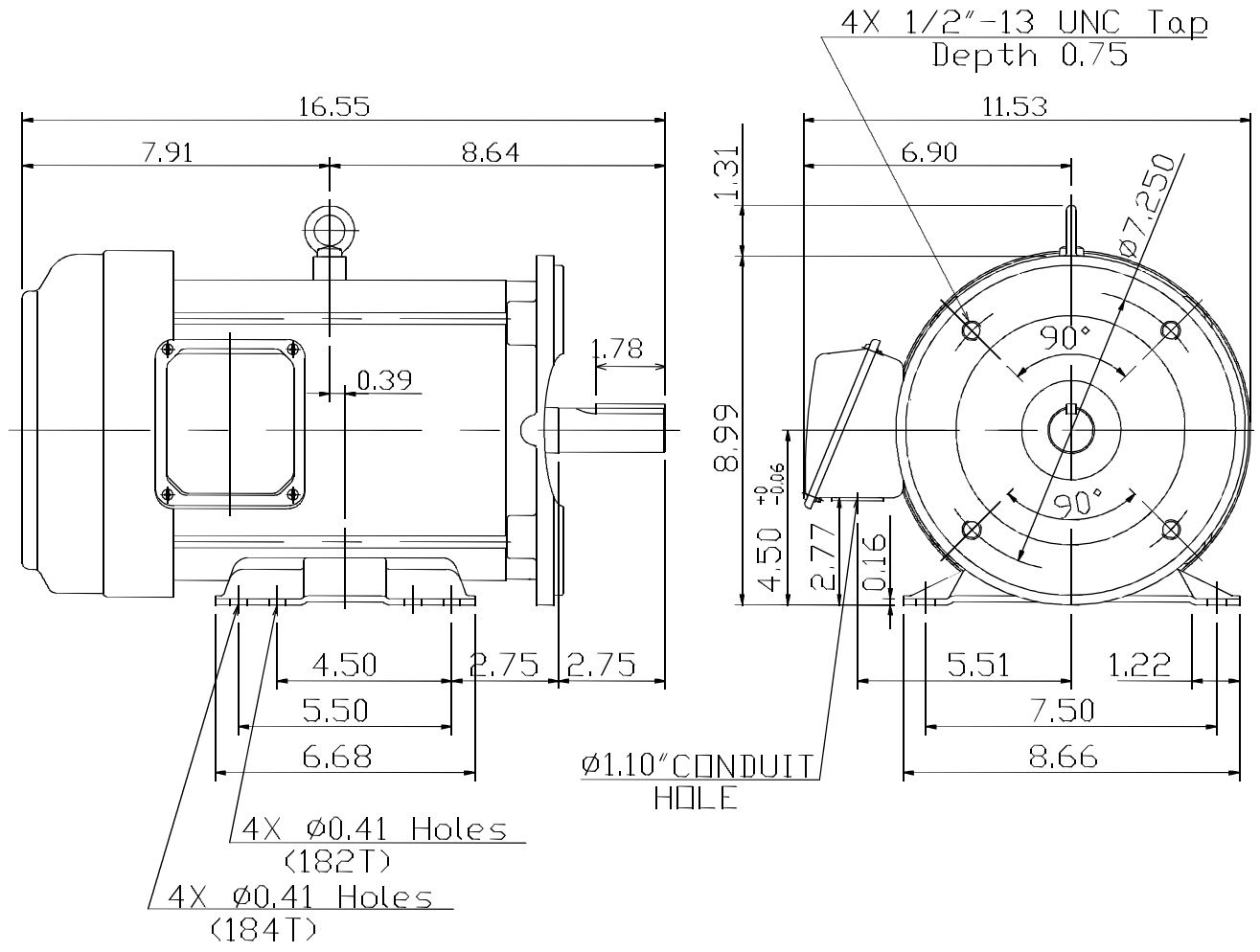
OUTLINE DIMENSIONS  
3-PHASE INDUCTION MOTOR

MOTOR TYPE:  
AEGH-CF  
FRAME NO. 184TC

Pole	HP	kW	Hz	VOLT	Syn.Speed r/min(rpm)
4	2	1.50	60	230/460	1200

Ins	Rating	Dimension in	Approx Weight	Bearings
F	CONT.	inches	84 lbs.	DE: 6206ZZC3 NDE: 6205ZZC3

Totally Enclosed Fan-Cooled Type. Squirrel-Cage Rotor.



DWN. Y.S.LIN 10 05 09  
CHKD. J.H.LIANG 10 06 09



DWG NO.  
31049R171020