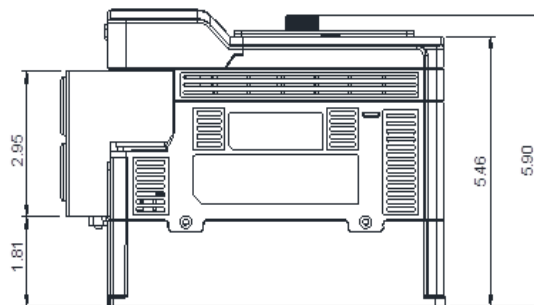
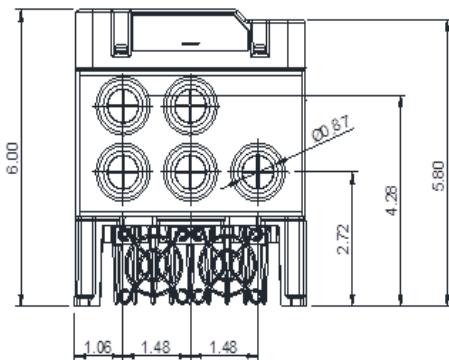
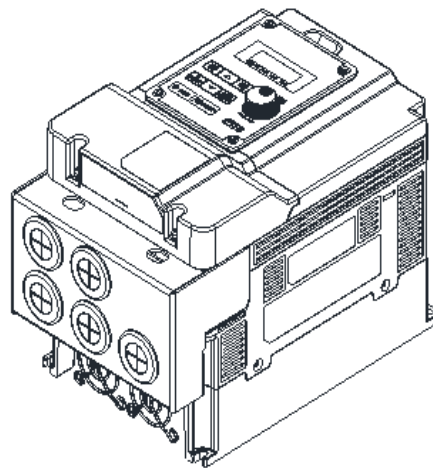
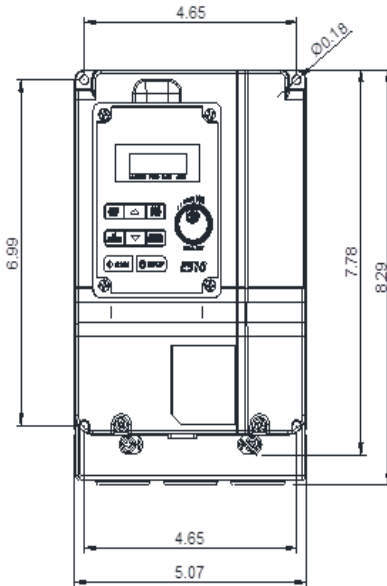


GENERAL DATASHEET VARIABLE SPEED DRIVE

| | | | | |
|--|--------------------------------------|---|-------------------------------------|-----------------------------|
| Series E510 | | MODEL# E510-405-H3-U | | |
| ISSUED 8/29/2017 | | ENCLOSURE/ FRAME NEMA 1 (IP20) / F2 | | |
| THREE PHASE INPUT AMPS HD (CT) 11.6 | | AC INPUT VOLTAGE 380-480 | AC INPUT FREQUENCY 50/60 | AC INPUT PHASE 3 |
| OUTPUT HP HD (CT) 5 | OUTPUT AMPS HD (CT) 9.2 | AC OUTPUT VOLTAGE 0-480 | AC OUTPUT FREQUENCY 0-599 | AC OUTPUT PHASE 3 |



| | | | | |
|--------------|-------------|-------------|-----------------|-------------|
| Approved By: | Brian Smith | Drawing No: | E510-460-405-F2 | Revision: 0 |
|--------------|-------------|-------------|-----------------|-------------|