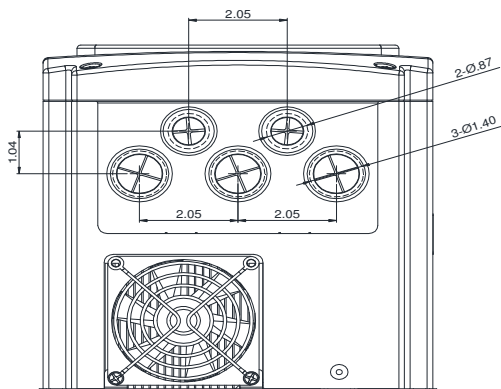
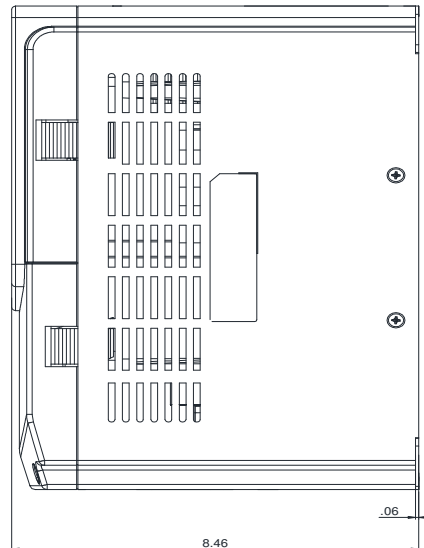
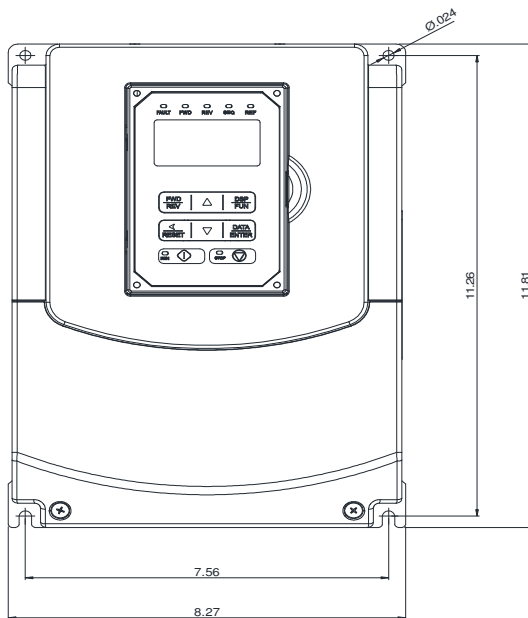


## GENERAL DATASHEET VARIABLE SPEED DRIVE

Series <b>A510</b>				MODEL# <b>A510-5008-C3-U</b>		
ISSUED <b>9/6/2016</b>				ENCLOSURE/ FRAME <b>NEMA 1 (IP20) / F3</b>		
INPUT AMPS				AC INPUT VOLTAGE	AC INPUT FREQUENCY	AC INPUT PHASE
HD (CT) <b>10.9</b>		ND (VT) <b>13.4</b>				
OUTPUT HP				AC OUTPUT VOLTAGE	AC OUTPUT FREQUENCY	AC OUTPUT PHASE
HD (CT) <b>7.5</b>		ND (VT) <b>10</b>				
OUTPUT AMPS				AC OUTPUT VOLTAGE	AC OUTPUT FREQUENCY	AC OUTPUT PHASE
HD (CT) <b>9.9</b>		ND (VT) <b>12.2</b>				
				<b>500-600</b>	<b>50/60</b>	<b>3</b>
				<b>500-600</b>	<b>0-599</b>	<b>3</b>



Approved By:	Brian Smith	Drawing No:	A510-575-008-F3	Revision: 0
--------------	-------------	-------------	-----------------	-------------