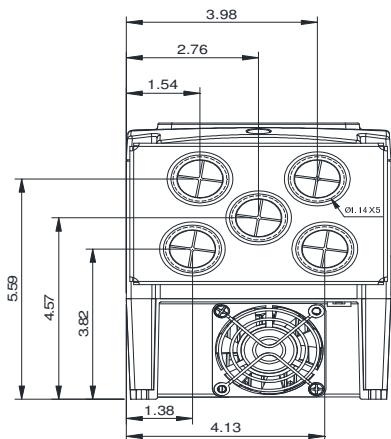
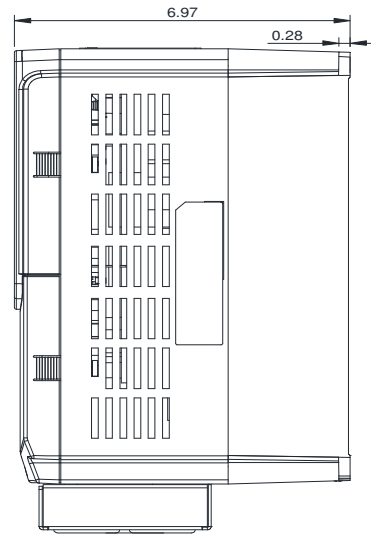
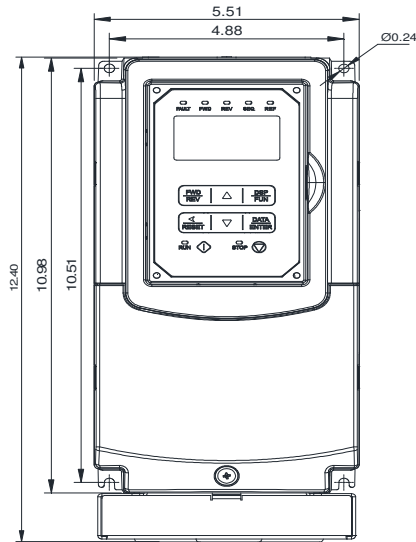


## GENERAL DATASHEET VARIABLE SPEED DRIVE

Series <b>A510</b>				MODEL# <b>A510-5003-C3-U</b>	
ISSUED <b>9/6/2016</b>				ENCLOSURE/ FRAME <b>NEMA 1 (IP20) / F2</b>	
INPUT AMPS		AC INPUT VOLTAGE	AC INPUT FREQUENCY	AC INPUT PHASE	
HD (CT)	ND (VT)				
<b>4.6</b>	<b>6.4</b>	<b>500-600</b>	<b>50/60</b>	<b>3</b>	
OUTPUT HP		AC OUTPUT VOLTAGE	AC OUTPUT FREQUENCY	AC OUTPUT PHASE	
OUTPUT AMPS					
HD (CT)	ND (VT)	HD (CT)	ND (VT)		
<b>3</b>	<b>4</b>	<b>4.2</b>	<b>5.8</b>	<b>500-600</b>	<b>0-599</b>



Approved By:	Brian Smith	Drawing No:	A510-575-003-F2	Revision: 0
--------------	-------------	-------------	-----------------	-------------