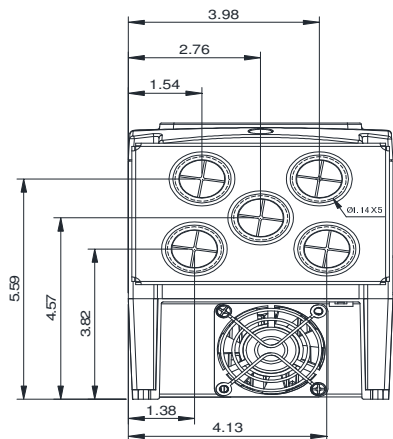
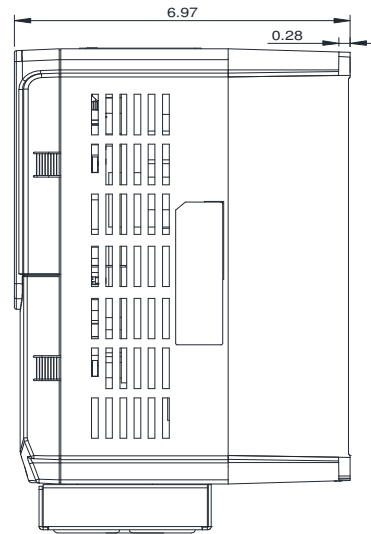
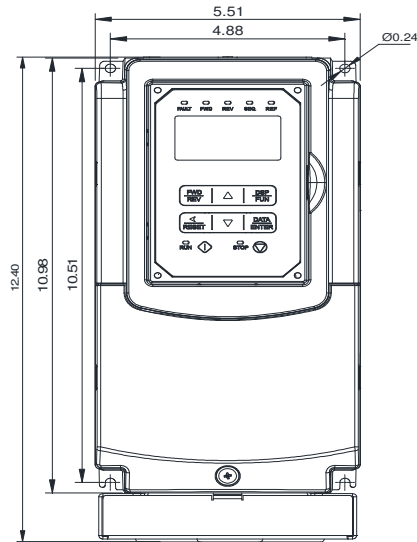


GENERAL DATASHEET VARIABLE SPEED DRIVE

| | | | | | | |
|----------------------------|--|----------------------|--|---|---------------------|-----------------|
| Series A510 | | | | MODEL# A510-4010-C3-U | | |
| ISSUED 8/31/2016 | | | | ENCLOSURE/ FRAME NEMA 1 (IP20) / F3 | | |
| INPUT AMPS | | | | AC INPUT VOLTAGE | AC INPUT FREQUENCY | AC INPUT PHASE |
| HD (CT) 18.7 | | ND (VT) 24 | | | | |
| OUTPUT HP | | | | AC OUTPUT VOLTAGE | AC OUTPUT FREQUENCY | AC OUTPUT PHASE |
| HD (CT) 10 | | ND (VT) 15 | | | | |
| OUTPUT AMPS | | | | AC OUTPUT VOLTAGE | AC OUTPUT FREQUENCY | AC OUTPUT PHASE |
| HD (CT) 18 | | ND (VT) 23 | | | | |
| | | | | 380-480 | 50/60 | 3 |
| | | | | 0-480 | 0-599 | 3 |



| | | | | |
|--------------|-------------|-------------|-----------------|-------------|
| Approved By: | Brian Smith | Drawing No: | A510-460-010-F3 | Revision: 0 |
|--------------|-------------|-------------|-----------------|-------------|