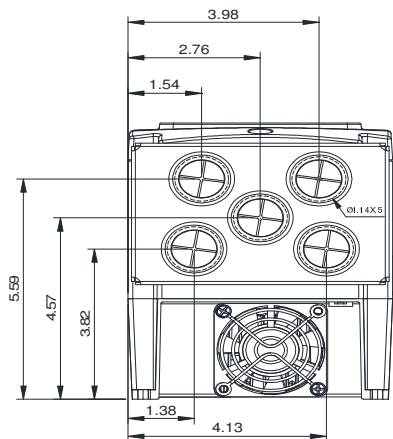
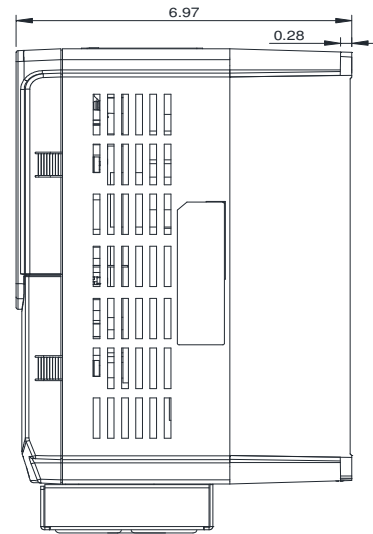
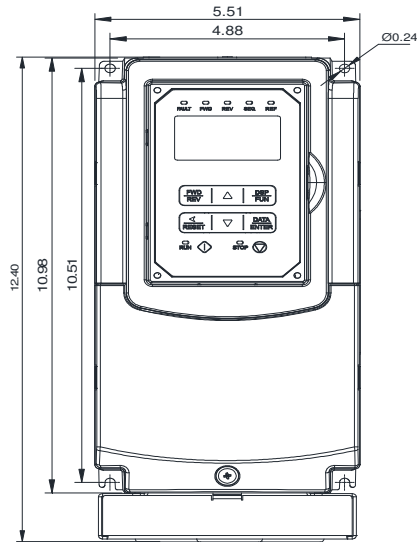


## GENERAL DATASHEET VARIABLE SPEED DRIVE

Series <b>A510</b>				MODEL# <b>A510-4008-C3-U</b>	
ISSUED <b>8/31/2016</b>				ENCLOSURE/ FRAME <b>NEMA 1 (IP20) / F2</b>	
INPUT AMPS		AC INPUT VOLTAGE <b>380-480</b>	AC INPUT FREQUENCY <b>50/60</b>	AC INPUT PHASE <b>3</b>	
HD (CT) <b>15.5</b>	ND (VT) <b>18.2</b>				
OUTPUT HP		AC OUTPUT VOLTAGE <b>0-480</b>	AC OUTPUT FREQUENCY <b>0-599</b>	AC OUTPUT PHASE <b>3</b>	
OUTPUT AMPS					
HD (CT) <b>7.5</b>	ND (VT) <b>10</b>	HD (CT) <b>14.8</b>	ND (VT) <b>17.5</b>		



Approved By:	Brian Smith	Drawing No:	A510-460-008-F2	Revision: 0
--------------	-------------	-------------	-----------------	-------------