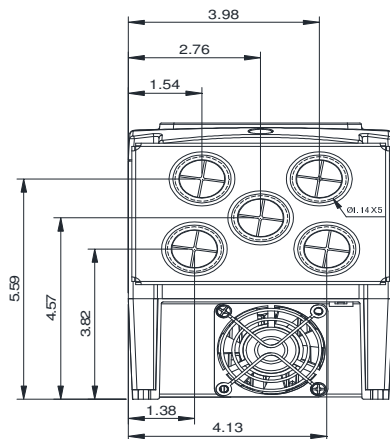
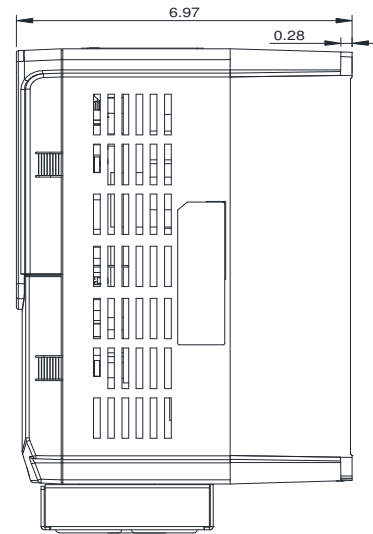
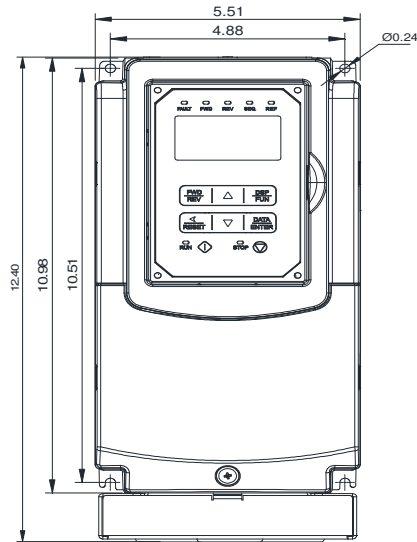


GENERAL DATASHEET VARIABLE SPEED DRIVE

Series A510				MODEL# A510-4005-C3-U	
ISSUED 8/31/2016				ENCLOSURE/ FRAME NEMA 1 (IP20) / F2	
INPUT AMPS		AC INPUT VOLTAGE 380-480	AC INPUT FREQUENCY 50/60	AC INPUT PHASE 3	
HD (CT) 9.6	ND (VT) 11.6				
OUTPUT HP		AC OUTPUT VOLTAGE 0-480	AC OUTPUT FREQUENCY 0-599	AC OUTPUT PHASE 3	
OUTPUT AMPS					
HD (CT) 5	ND (VT) 5/7.5	HD (CT) 9.2	ND (VT) 12.1		



Approved By:	Brian Smith	Drawing No:	A510-460-005-F2	Revision: 0
--------------	-------------	-------------	-----------------	-------------