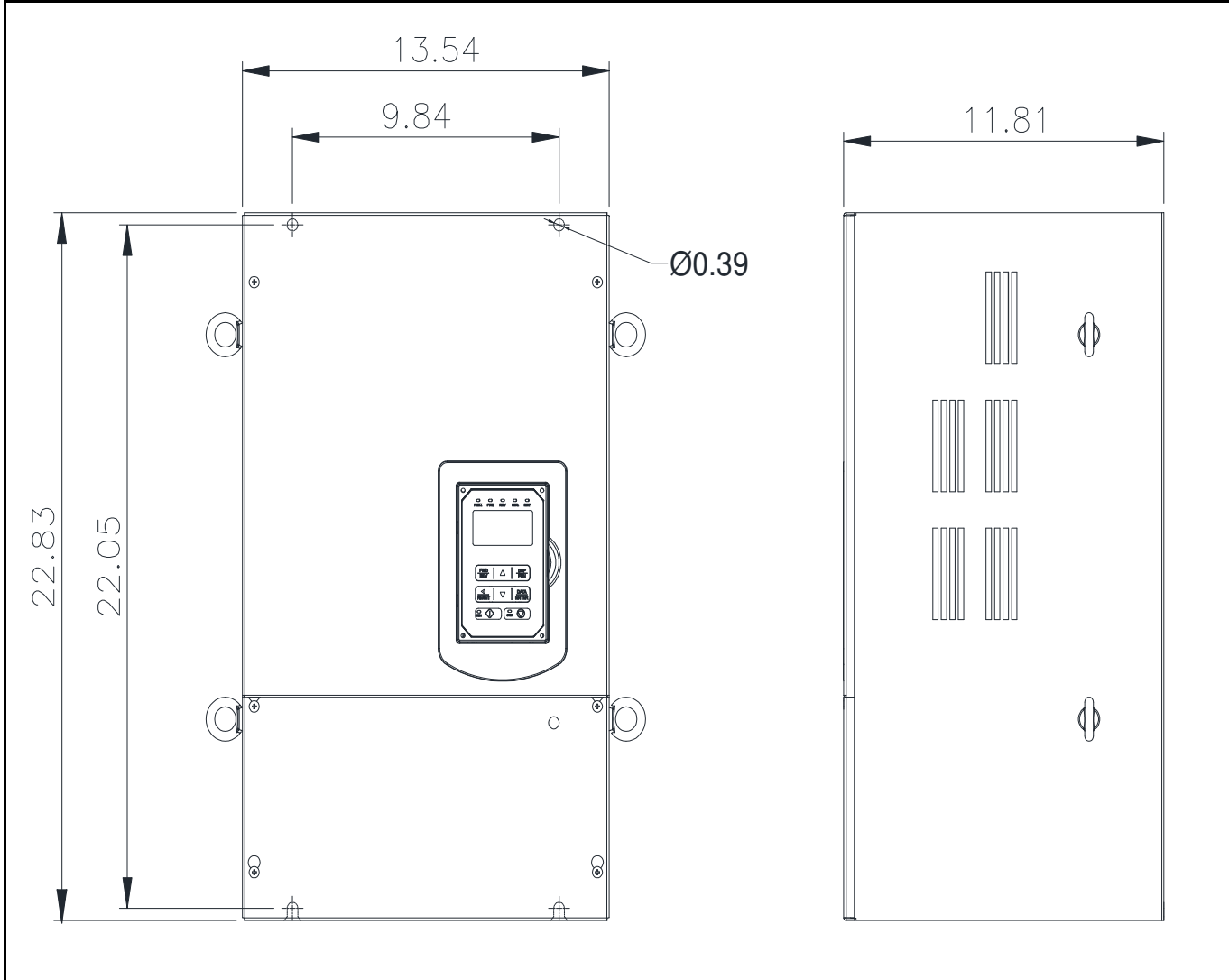


GENERAL DATASHEET VARIABLE SPEED DRIVE

Series A510		MODEL# A510-2060-C3-U				
ISSUED 8/30/2016		ENCLOSURE/ FRAME OpenChassis (IP00)/ F6				
INPUT AMPS				AC INPUT VOLTAGE 200-240	AC INPUT FREQUENCY 50/60	AC INPUT PHASE 3
HD (CT) 186		ND (VT) 232				
OUTPUT HP				AC OUTPUT VOLTAGE 0-240	AC OUTPUT FREQUENCY 0-599	AC OUTPUT PHASE 3
HD (CT) 60		ND (VT) 75				
OUTPUT AMPS						
HD (CT) 180		ND (VT) 200				



Approved By:	Brian Smith	Drawing No:	A510-230-060-F6	Revision: 0
--------------	-------------	-------------	-----------------	-------------