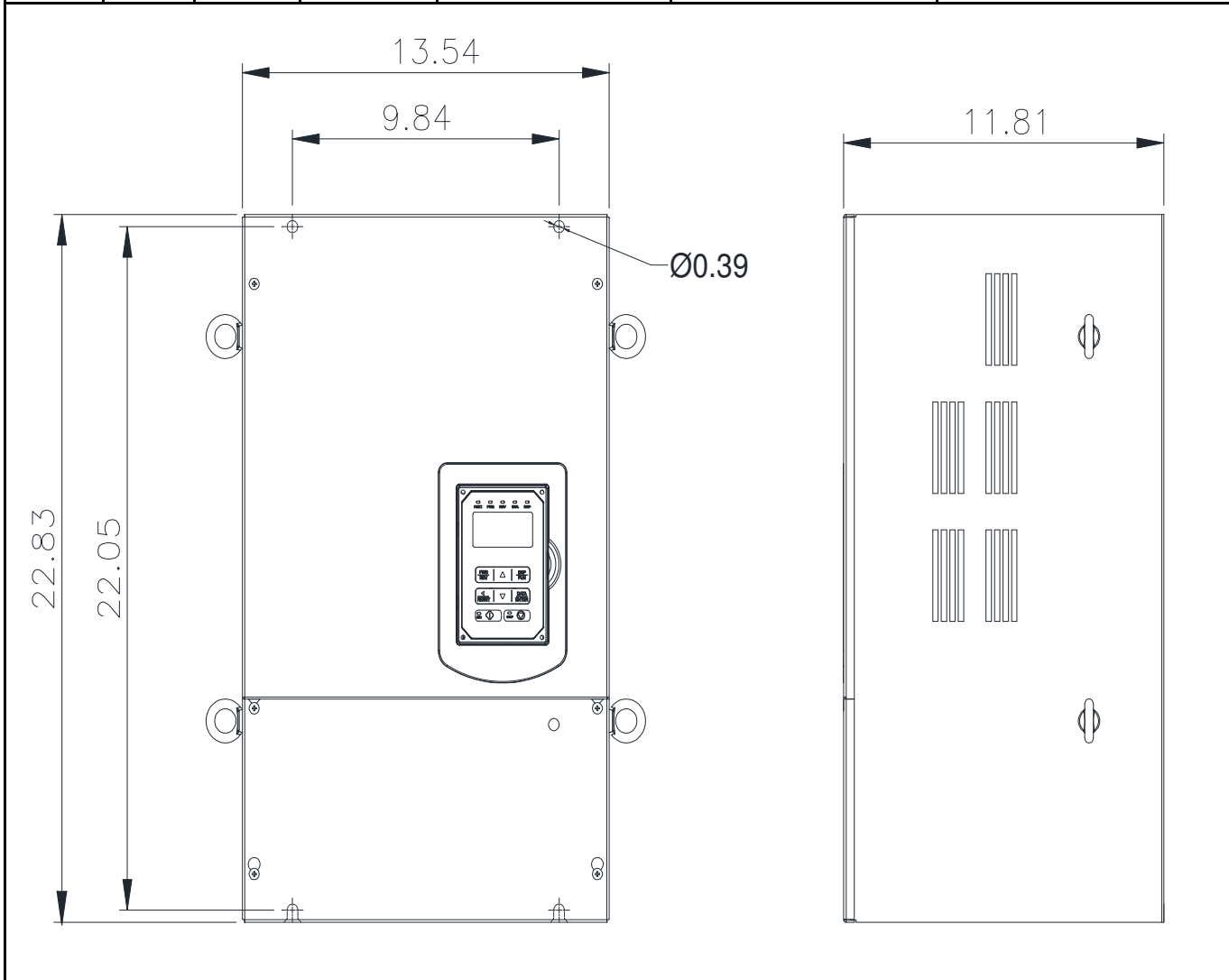


GENERAL DATASHEET VARIABLE SPEED DRIVE

Series A510		MODEL# A510-2050-C3-U				
ISSUED 8/30/2016		ENCLOSURE/ FRAME OpenChassis (IP00)/ F6				
INPUT AMPS				AC INPUT VOLTAGE 200-240	AC INPUT FREQUENCY 50/60	AC INPUT PHASE 3
HD (CT) 159	ND (VT) 186					
OUTPUT HP		OUTPUT AMPS		AC OUTPUT VOLTAGE 0-240	AC OUTPUT FREQUENCY 0-599	AC OUTPUT PHASE 3
HD (CT) 50	ND (VT) 60	HD (CT) 145	ND (VT) 169			



Approved By:	Brian Smith	Drawing No:	A510-230-050-F6	Revision: 0
--------------	-------------	-------------	-----------------	-------------