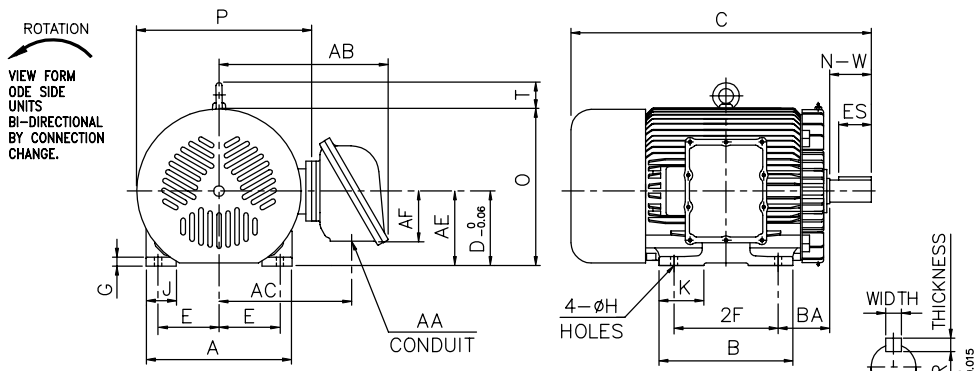


INDEX	AS-958255
REV. LEVEL	2
SHEET	1 OF 1

TOSHIBA/HOUSTON

CT EXPLOSION PROOF MOTORS
HORIZONTAL FOOT-MOUNTED

Fr. 364T-365T
Fr. 364TS-365TS



UNITS: INCHS

FRAME SIZE	MOUNTING				CONDUIT BOX				
	E	2F	H	BA	AA	AB	AC	AF	AE
364T/TS	7.00	11.25	0.66	5.88	NPT3"	20.20	15.39	5.51	9.00
365T/TS	7.00	12.25	0.66	5.88	NPT3"	20.20	15.39	5.51	9.00

FRAME SIZE	MOTOR DIMENSIONS								
	A	B	C	D	G	J	K	P	O+T
364T	16.40	14.40	32.94	9.00	1.32	3.15	4.73	20.35	22.17
364TS	16.40	14.40	30.81	9.00	1.32	3.15	4.73	20.35	22.17
365T	16.40	15.40	33.92	9.00	1.32	3.15	4.73	20.35	22.17
365TS	16.40	15.40	31.79	9.00	1.32	3.15	4.73	20.35	22.17

FRAME SIZE	HP	POLE	WEIGHT
364TS	60HP	2	1082 lbs
365TS	75HP	2	1168 lbs
364T	60HP	4	1123 lbs
365T	75HP	4	1214 lbs
364T	40HP	6	1011 lbs
365T	50HP	6	1127 lbs

FRAME SIZE	SHAFT EXTENSION				KEY			BEARINGS	
	N-W	U	V	R	WIDTH	THICKNESS	LENGTH	LS	OS
364T	5.88	2.375	5.75	2.021	0.625	0.625	4.28	6215	6312
364TS	3.75	1.875	3.50	1.591	0.500	0.500	2.03	6312C3	6312C3
365T	5.88	2.375	5.75	2.021	0.625	0.625	4.28	6215	6312
365TS	3.75	1.875	3.50	1.591	0.500	0.500	2.03	6312C3	6312C3

ALL DATA SUBJECT TO CHANGE WITHOUT NOTICE.
FOR CONSTRUCTION USE ONLY CERTIFIED DATA.

CERTIFIED DATA

- NOTES:
1. DIMENSION V REPRESENTS LENGTH OF STRAIGHT PART OF SHAFT.
 2. MOTOR WEIGHT SHOWN IS MAXIMUM HORSEPOWER IN FRAME.

CUSTOMER: _____ P.O. NO.: _____ TAG NO.: _____
 MOTOR MODEL NO.: **0406XPEA31A-P** TOSHIBA FILE NO.: _____
 HP: **40** RPM (SYN.): **1200** VOLTAGE: **230/460** Hz: **60**
 FRAME SIZE: **364T** LOG NO.: _____ LOG REV. LEVEL: _____
 REMARKS: _____
 PER: _____ ISSUE DATE: _____ SUPERSEDES: _____

TOSHIBA INTERNATIONAL CORPORATION
Industrial Division / Houston Motor Plant

**SQUIRREL CAGE INDUCTION MOTOR
 PERFORMANCE SPECIFICATIONS**

INDEX	MPCF-1033
SHEET NO.	1 of 1
ISSUED	11/08/96
SUPERSEDES	10/06/95
REVISION	1
WRITTEN BY	R. EVANS
APPROVED BY	<i>Jay Bugbee</i>

Customer Tag:

CUSTOMER:
 TIC SR No.:
 Customer PO:

MOTOR NAMEPLATE DATA

H.P.: 40	VOLTS: 230/460	3 Ø / 60	Hz	S. RPM: 1200
FRAME: 364T	ENCL: TEXP	FLAMPS: 48		FLRPM: 1180
FORM: FBK1XX	S.F.: 1.15	NEMA DESIGN: B		INSUL CLASS: F
TYPE: TIKK	AMB.: 40C	CODE: G		DUTY: CONT.
MODEL No.: 0406XPEA31A-P		kW: 30		Serial No.:
NOM. EFF.: 94.5	MIN. EFF.:	P.F.:0.8		

AMPERAGE Locked Rotor: 290	TORQUES FULL LOAD (lb-ft.): 178.00 LOCKED ROTOR (%): 200 BREAK DOWN (%): 220	** BEARINGS: Drive End: 6215 Opposite Drive End: 6312
--------------------------------------	--	--

EFFICIENCY (%) FULL LOAD: 94.5 3/4 LOAD: 94.7 1/2 LOAD: 93.7	POWER FACTOR (%) FULL LOAD: 84.0 3/4 LOAD: 82.0 1/2 LOAD: 75.0
--	--

ALL CHARACTERISTICS ARE AVERAGE EXPECTED VALUES BASED UPON RATED VOLTAGE, FREQUENCY AND SINEWAVE POWER INPUT.

* TEMPERATURE RISE WILL BE CONSISTENT WITH INSULATION, AMBIENT AND SERVICE FACTOR AS DEFINED BY NEMA-MG-12.43 OR -20.40.

** BEARINGS ARE THE ONLY RECOMMENDED SPARE PART(S).

CERTIFIED BY:
DATE:

TOSHIBA

Reliability in Motion

TOSHIBA INTERNATIONAL CORPORATION

INDUSTRIAL DIVISION

PO BOX 40906

HOUSTON TX 77240

(713) 466-0277

(800) 231-1412

FAX (713) 466-8773

SPARE PARTS (RECOMMENDED)

OTHER THAN THE GREASE USED FOR RE-GREASABLE BEARINGS, **TOSHIBA** ADVISES THAT THERE ARE NO "USE" PARTS. THE ONLY INSURANCE SPARES THAT **TOSHIBA** SUGGESTS FOR THESE SQUIRREL CAGE INDUCTION MOTORS ARE INDUSTRY STANDARD, AND COMMERCIALY AVAILABLE ANTI-FRICTION BEARINGS, AS NOTED BELOW.

MOTOR COMPONENTS (SUCH AS TERMINAL BOXES, FAN COVERS, MACHINED PARTS) ARE AVAILABLE UPON SPECIAL REQUEST. IN THIS CASE, PLEASE ADVISE OUR ORDER ENTRY DEPARTMENT THE MODEL AND SERIAL NUMBERS (FOUND ON THE MOTOR NAMEPLATE) , AND A DESCRIPTION OF THE COMPONENT REQUIRED. THEY WILL THEN FURNISH THE CURRENT PART NUMBER, PRICE AND AVAILABILITY.

(NOTE: OUR INTERNAL PART NUMBERS ARE SUBJECT TO CHANGE WITHOUT NOTICE, AND ARE NOT PUBLISHED).

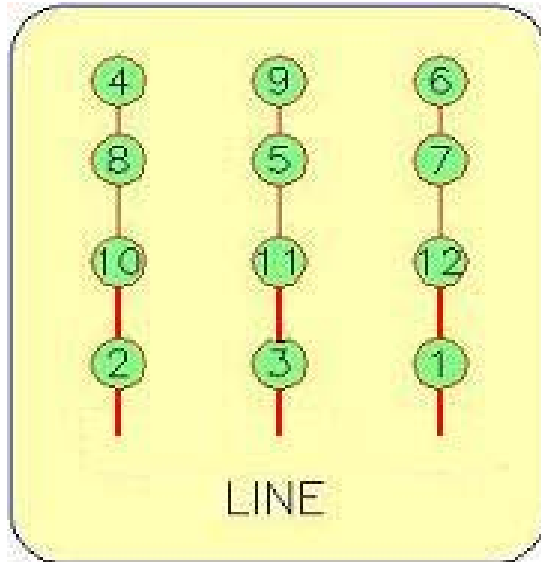
PLEASE ADVISE IF YOU HAVE ANY QUESTIONS.

CUSTOMER:
PURCHASE ORDER #
Customer Tag:

TOSHIBA FILE #
MODEL # 0406XPEA31A-P
HP / RPM / ENCL / FRAME: 40 / 1200 / TEXP / 364T
DRIVE END BEARING: 6215
OPPOSITE DRIVE END BEARING: 6312

Prepared By:
Date:

Three Phase Motor Wiring Diagram
"Across the line" (Full Voltage) Starting



Customer Name:	
PO No.:	
Customer Tag:	
TIC File No.:	
Motor Model No.	0406XPEA31A-P

For Further Information Regarding Toshiba motor starting, maintenance or wiring, Please refer to the "Toshiba - A Quality Product for World Energy" Installation and Maintenance Manual, or contact the Toshiba Low Voltage Motor Marketing Department. (800) 231-1412

Prepared By:
Date: