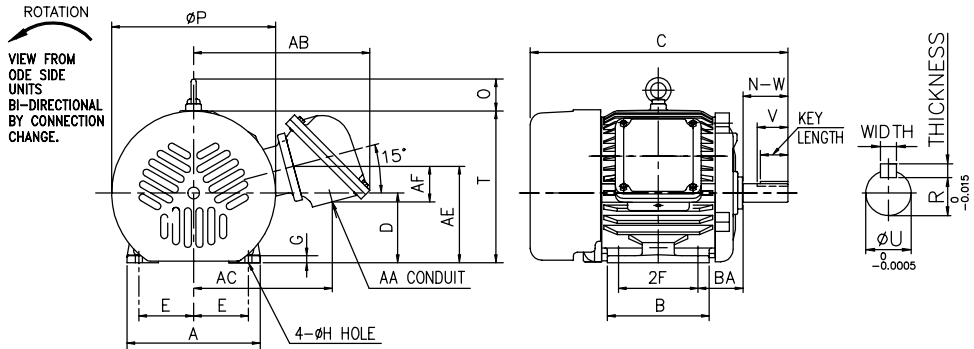


TOSHIBA/HOUSTON

CT EXPLOSION PROOF MOTORS
HORIZONTAL FOOT-MOUNTED

Fr. 143T-145T



UNITS: INCHS

FRAME SIZE	MOUNTING				CONDUIT BOX				
	E	2F	H	BA	AA	AB	AC	AF	AE
143T	2.75	4.00	0.34	2.25	NPT3/4"	8.74	6.85	1.73	4.84
145T	2.75	5.00	0.34	2.25	NPT3/4"	8.74	6.85	1.73	4.84

FRAME SIZE	HP	POLE	WEIGHT
143T	1.5HP	2	83 lbs
143T	1HP	4	79 lbs
145T	2HP	2	94 lbs
145T	1.5HP	4	88 lbs
145T	2HP	4	90 lbs
145T	1HP	6	90 lbs

FRAME SIZE	MOTOR DIMENSIONS						
	A	B	C	D	G	P	O+T
143T	6.69	5.12	12.95	3.50	0.35	8.40	9.30
145T	6.69	6.10	13.94	3.50	0.35	8.40	9.30

FRAME SIZE	SHAFT EXTENSION				KEY			BEARINGS	
	N-W	U	V	R	WIDTH	THICKNESS	LENGTH	LS	OS
143T	2.25	0.875	2.20	0.771	0.188	0.188	1.375	6205ZZ	6205ZZ
145T	2.25	0.875	2.20	0.771	0.188	0.188	1.375	6205ZZ	6205ZZ

ALL DATA SUBJECT TO CHANGE WITHOUT NOTICE.
FOR CONSTRUCTION USE ONLY CERTIFIED DATA.

NOTES:

1. DIMENSION V REPRESENTS LENGTH OF STRAIGHT PART OF SHAFT.
2. MOTOR WEIGHT SHOWN IS MAXIMUM HORSEPOWER IN FRAME.

CERTIFIED DATA

CUSTOMER: _____ P.O. NO.: _____ TAG NO.: _____

MOTOR MODEL NO.: **0014XPEA31A-P** TOSHIBA FILE NO.: _____

HP: **1** RPM (SYN.): **1800** VOLTAGE: **230/460** Hz: **60**

FRAME SIZE: **143T** LOG NO.: _____ LOG REV. LEVEL: _____

REMARKS: _____

PER: _____ ISSUE DATE: _____ SUPERSEDES: _____

TOSHIBA INTERNATIONAL CORPORATION
Industrial Division / Houston Motor Plant

**SQUIRREL CAGE INDUCTION MOTOR
 PERFORMANCE SPECIFICATIONS**

INDEX	MPCF-1033
SHEET NO.	1 of 1
ISSUED	11/08/96
SUPERSEDES	10/06/95
REVISION	1
WRITTEN BY	R. EVANS
APPROVED BY	<i>Jay Bugbee</i>

Customer Tag:

CUSTOMER:
 TIC SR No.:
 Customer PO:

MOTOR NAMEPLATE DATA

H.P.: 1	VOLTS: 230/460	3 Ø / 60	Hz	S. RPM: 1800
FRAME: 143T	ENCL: TEXP	FLAMPS: 1.4		FLRPM: 1730
FORM: FBK1XX	S.F.: 1.15	NEMA DESIGN: B		INSUL CLASS: F
TYPE: IK	AMB.: 40C	CODE: K		DUTY: CONT.
MODEL No.: 0014XPEA31A-P		kW: 0.75		Serial No.:
NOM. EFF.: 86.5	MIN. EFF.:	P.F.:0.8		

AMPERAGE Locked Rotor: 11	TORQUES FULL LOAD (lb-ft.): 3.00 LOCKED ROTOR (%): 290 BREAK DOWN (%): 310	** BEARINGS: Drive End: 6205ZZ Opposite Drive End: 6205ZZ
-------------------------------------	--	--

EFFICIENCY (%) FULL LOAD: 86.5 3/4 LOAD: 86.5 1/2 LOAD: 82.5	POWER FACTOR (%) FULL LOAD: 78.0 3/4 LOAD: 71.5 1/2 LOAD: 58.5
--	--

ALL CHARACTERISTICS ARE AVERAGE EXPECTED VALUES BASED UPON RATED VOLTAGE, FREQUENCY AND SINEWAVE POWER INPUT.

* TEMPERATURE RISE WILL BE CONSISTENT WITH INSULATION, AMBIENT AND SERVICE FACTOR AS DEFINED BY NEMA-MG-12.43 OR -20.40.

** BEARINGS ARE THE ONLY RECOMMENDED SPARE PART(S).

CERTIFIED BY:
DATE:

TOSHIBA

Reliability in Motion

TOSHIBA INTERNATIONAL CORPORATION

INDUSTRIAL DIVISION

PO BOX 40906

HOUSTON TX 77240

(713) 466-0277

(800) 231-1412

FAX (713) 466-8773

SPARE PARTS (RECOMMENDED)

OTHER THAN THE GREASE USED FOR RE-GREASABLE BEARINGS, **TOSHIBA** ADVISES THAT THERE ARE NO "USE" PARTS. THE ONLY INSURANCE SPARES THAT **TOSHIBA** SUGGESTS FOR THESE SQUIRREL CAGE INDUCTION MOTORS ARE INDUSTRY STANDARD, AND COMMERCIALY AVAILABLE ANTI-FRICTION BEARINGS, AS NOTED BELOW.

MOTOR COMPONENTS (SUCH AS TERMINAL BOXES, FAN COVERS, MACHINED PARTS) ARE AVAILABLE UPON SPECIAL REQUEST. IN THIS CASE, PLEASE ADVISE OUR ORDER ENTRY DEPARTMENT THE MODEL AND SERIAL NUMBERS (FOUND ON THE MOTOR NAMEPLATE) , AND A DESCRIPTION OF THE COMPONENT REQUIRED. THEY WILL THEN FURNISH THE CURRENT PART NUMBER, PRICE AND AVAILABILITY.

(NOTE: OUR INTERNAL PART NUMBERS ARE SUBJECT TO CHANGE WITHOUT NOTICE, AND ARE NOT PUBLISHED).

PLEASE ADVISE IF YOU HAVE ANY QUESTIONS.

CUSTOMER:
PURCHASE ORDER #
Customer Tag:

TOSHIBA FILE #
MODEL # 0014XPEA31A-P
HP / RPM / ENCL / FRAME: 1 / 1800 / TEXP / 143T
DRIVE END BEARING: 6205ZZ
OPPOSITE DRIVE END BEARING: 6205ZZ

Prepared By:
Date:

