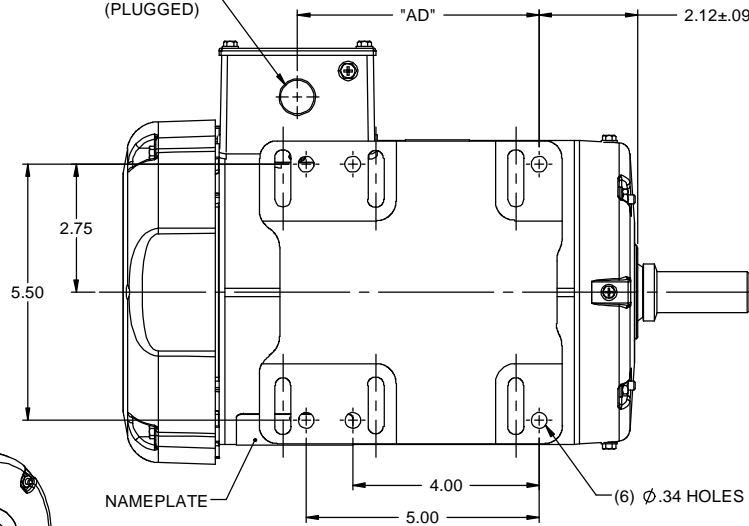


(1) 1/2-14 NPT CONDUIT HOLE (PLUGGED)

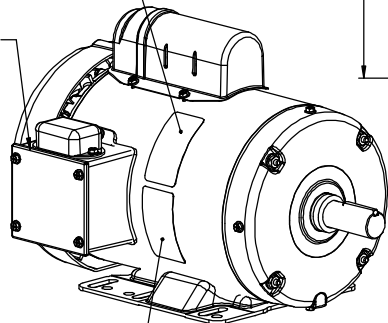


WASHGUARD MOTOR

- SPECIAL FEATURES:
1. SHAFT SEALS & V-RING.
 2. PLUGGED DRAIN HOLES IN ENDBELLS & CONDUIT BOX.
 3. BUNA-N GASKETS THROUGHOUT.
 4. STAINLESS STEEL SHAFT, HARDWARE & NAMEPLATE.
 5. SOLID STATE SWITCH MOUNTED TO CONDUIT BOX.

S.S. SWITCH WARNING DECAL

CONNECTION DECAL UNDER COVER (WHEN REQUIRED)



DRAIN HOLE DECAL

DASH NO.	"C"	"AD"	"XO"	DASH NO.	"C"	"AD"	"XO"
650A	12.43	4.19	2.00	650B	12.43	4.19	2.25
700A	12.93	4.69	2.00	700B	12.93	4.69	2.25
750A	13.43	5.19	2.00	750B	13.43	5.19	2.25
800A	13.93	5.69	2.00	800B	13.93	5.69	2.25

				TOLERANCES UNLESS SPECIFIED				DRAWN VS 9/21/2012	
				DEC	INCHES			CHK	APPR
				X	±.1	TITLE OUTLINE - 140T FRAME		SCALE 3:8	
				XX	±.03	TEFC - RIGID		REF 607-0012	
				XXX	±.005	MATL WASHGUARD		FMF 143TCWR17031	
				XXXX	±.0005	FINISH		PAGE OF	
NO	REVISION	BY & DATE	CHK	ANG	±1/2°	PREV	SIZE	DRAWING NO	REV
	THIRD ANGLE PROJECTION					NETWORK FILE NAME	B	607-0012ME	