

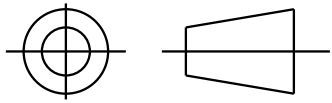
SHEET 1

REV 2

52A110620

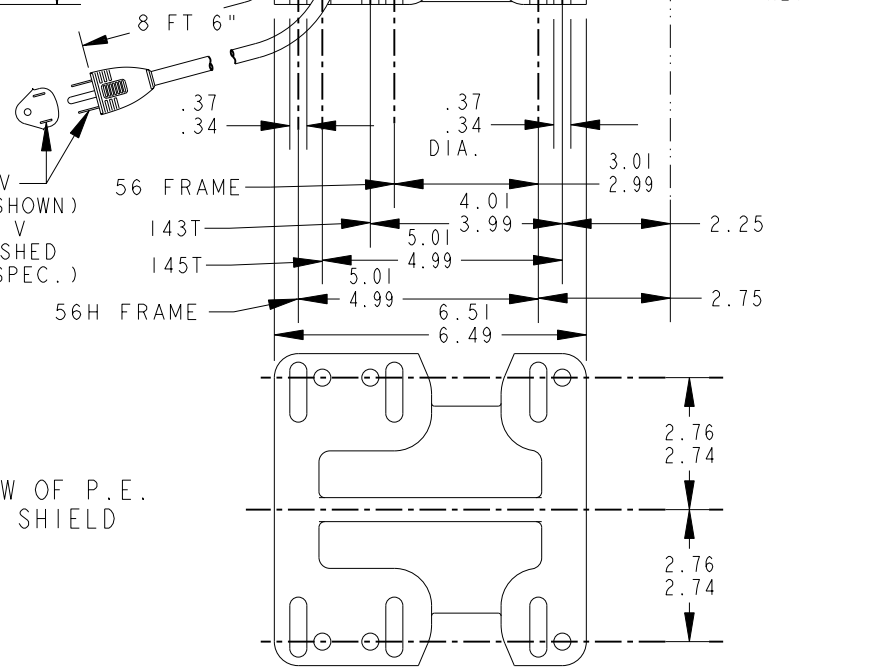
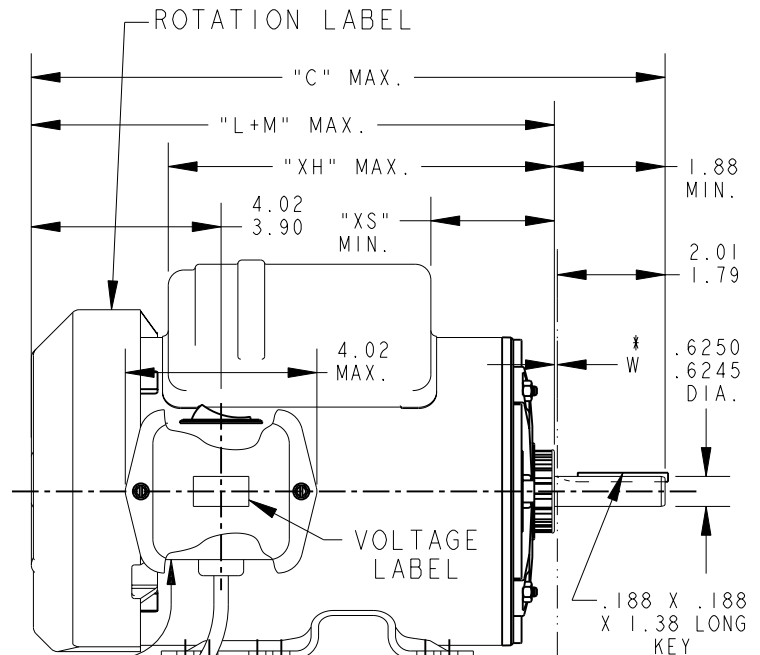
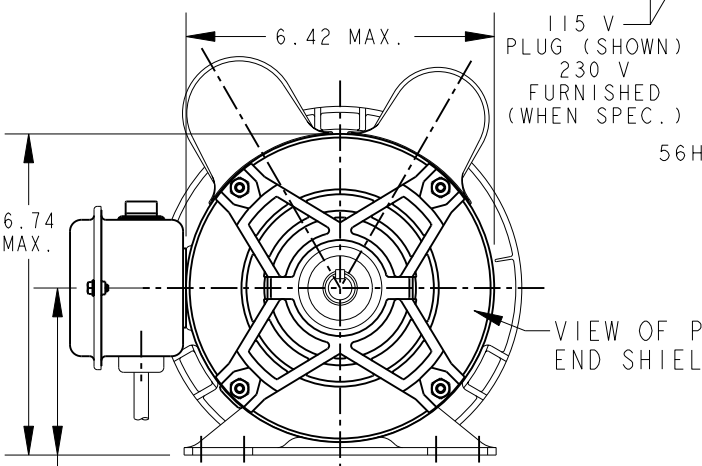
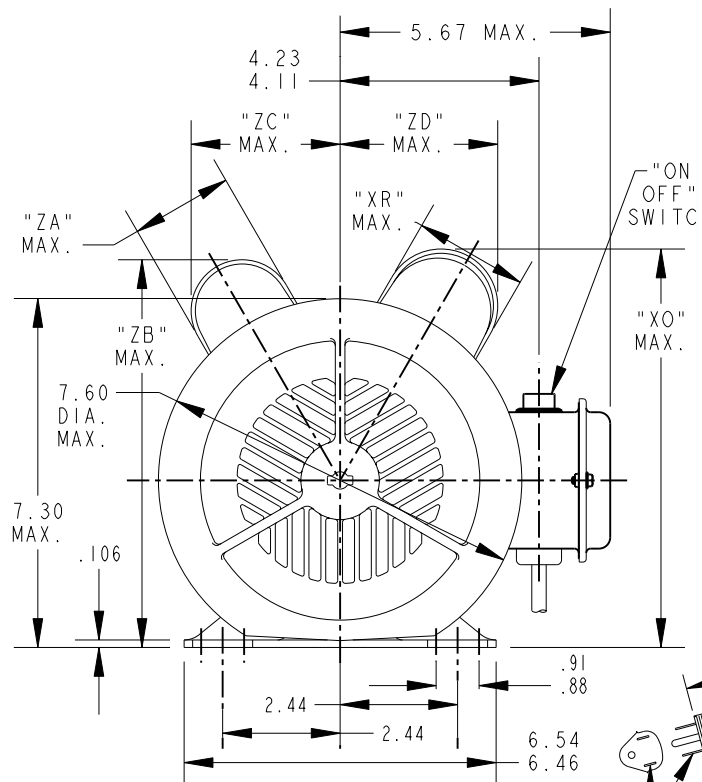
SIZE DRAWING NO. A

THIRD ANGLE PROJECTION



REVISIONS

REV.	DESCRIPTION	DATE	APPROVED
2	CHG TO RBC FORMAT PER ISO5-1777	04/24/06	SUDHA




115 V
PLUG (SHOWN)
230 V
FURNISHED
(WHEN SPEC.)

* W IS A VARIABLE CLEARANCE
DUE TO VARIATIONS IN
PARTS AND ASSEMBLY

ALL DIMENSIONS ARE IN INCHES

I	KCR	48	56H	13.82	11.82	7.72	8.77	2.72	2.03	2.10	8.15	3.14	3.63	8.43
P	TYPE	GE SIZE	NEMA FR.	"C"	"L+M"	"XH"	"XO"	"XR"	"XS"	"ZA"	"ZB"	"ZC"	"ZD"	MIN. SHELL

SIGNATURES		DATE
MODEL	M. D. PAPE	09/19/00
DETAIL	.	.
CHECKED	.	.
ENGRG	.	.
MFG	.	.
FOR ADDITIONAL INFO REFER TO:	QUALITY	.
APPLIED PRACTICES	ISSUED	M. D. PAPE 09/19/00
DIMENSIONS ARE IN INCHES ✓	SOLID MODEL: 52A110620	



REGAL-BELOIT CORPORATION

TITLE

OUTLINE

GENERAL PURPOSE MOTOR - TEFC - BALL BEARING - WELDED BASE FMF - 40 FRAME REDESIGN

SIZE: DRAWING

A

SCALE: 0.250 REF. No: . SHEET 1 of 1

52A110620 REV 2