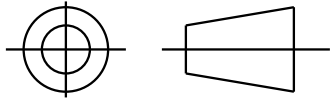


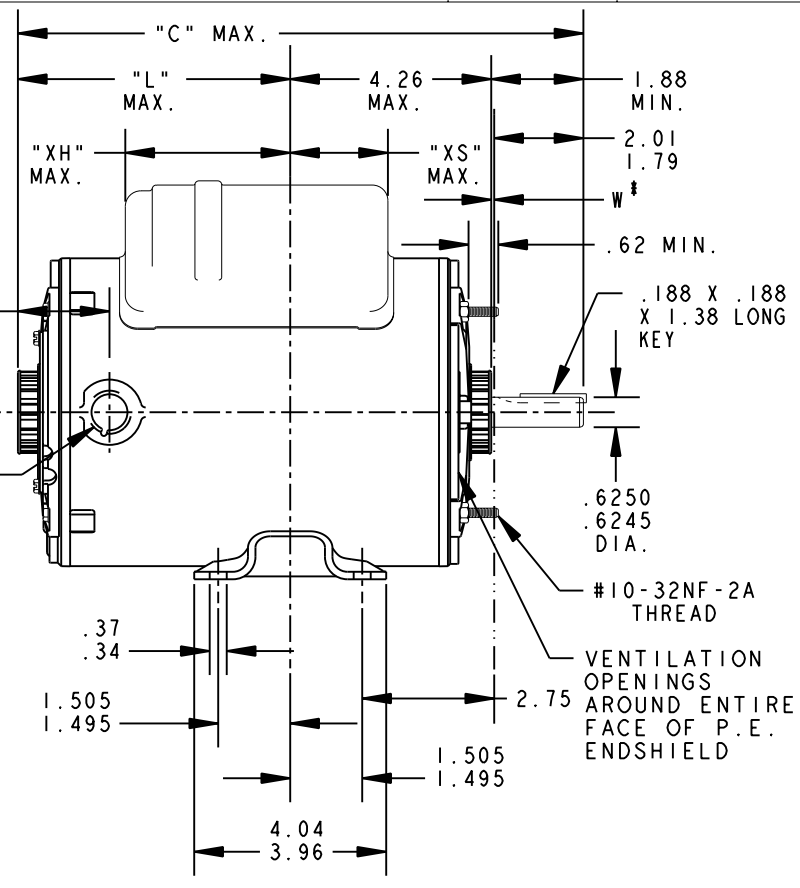
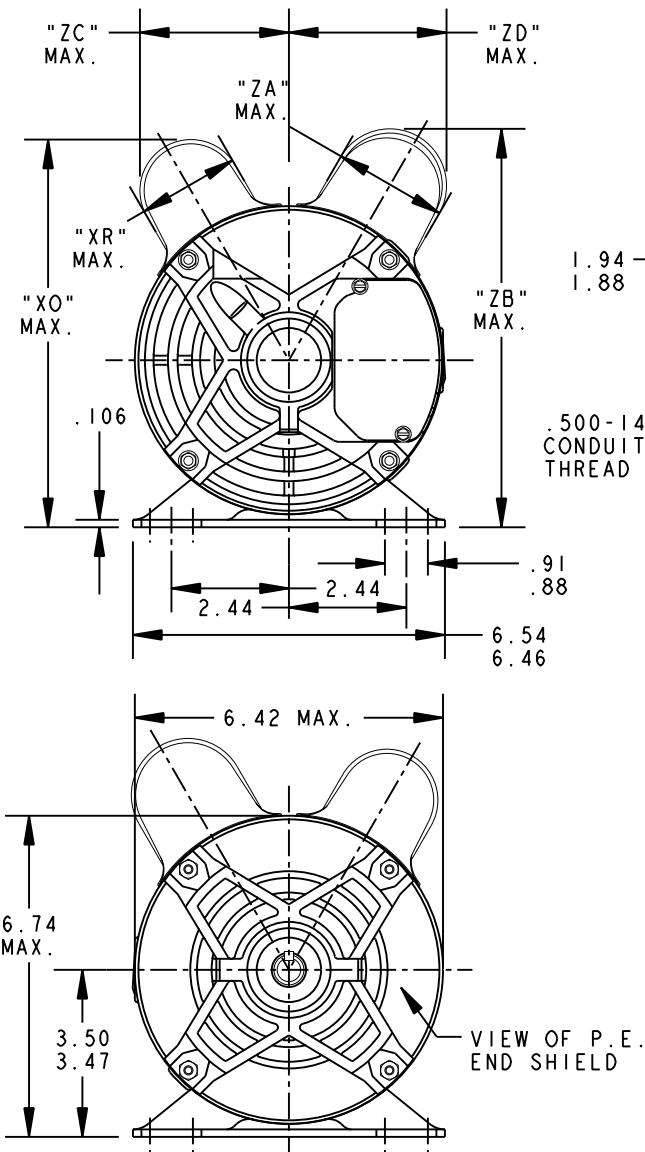
SHEET  
REV  
52A107886 2  
SIZE DRAWING NO.  
A

THIRD ANGLE PROJECTION



REVISIONS


REV.	DESCRIPTION	DATE	APPROVED
2	CHG TO RBC FORMAT PER ISO5-1777	03/08/06	SUDHA



W IS A VARIABLE CLEARANCE DUE TO VARIATIONS IN PARTS AND ASSEMBLY

P	TYPE	GE SIZE	NEMA FR	"C"	"L"	"XH"	"XO"	"XR"	"XS"	"XA"	"XB"	"XC"	"XD"	MIN. SHELL
2	KC	49	56	11.38	5.22	3.16	8.18	2.15	2.41	2.40	8.40	3.20	3.38	7.15
1	KC	46	56	10.78	4.62	2.81	8.18	2.15	2.81	2.40	8.40	3.20	3.38	6.55

SIGNATURES		DATE
MODEL	MA MARKS	01/21/94
DETAIL	.	.
CHECKED	.	.
ENGRG	.	.
MFG	.	.
QUALITY	.	.
ISSUED	MA MARKS	01/21/94
SOLID MODEL: 52A107886		



**REGAL-BELOIT CORPORATION**

**TITLE**

**OUTLINE**

**GENERAL PURPOSE MOTOR DRIP PROOF - BALL BEARING - WELD BASE FMF - 40 FRAME REDESIGN (5KC46GN0251Y)**

SIZE DRAWING  
A

SCALE: 0.250 REF. No: .

**52A107886**

REV  
**2**

SHEET 1 of 1

FOR ADDITIONAL INFO REFER TO:  
APPLIED PRACTICES  
DIMENSIONS ARE IN INCHES ✓  
MATERIAL