



# **BALDOR® • RELIANCE**

## **Product Information Packet**

# **VHM2549T**

**75HP,3550RPM,3PH,60HZ,364HP,1452M,OPEN**

Part Detail							
Revision:	F	Status:	INA/A	Change #:		Proprietary:	No
Type:	AC	Prod. Type:	1452M	Elec. Spec:	14WGX159	CD Diagram:	CD0180
Enclosure:	OPEN	Mfg Plant:		Mech. Spec:	14E291	Layout:	14LYE291
Frame:	364HP	Mounting:	F1	Poles:	02	Created Date:	
Base:	N	Rotation:	R	Insulation:	B	Eff. Date:	07-14-2011
Leads:	9#4					Replaced By:	
Literature:		Elec. Diagram:					

Dealers Industrial Equipment -- Visit <https://DealersElectric.com> or call (908) 688-1966 for all of your electric motor & VFD needs!

Nameplate NP1256L										
CAT.NO.										
SPEC.	14E291X159G1									
HP	75									
VOLTS	230/460									
AMP	170/85									
RPM	3550									
FRAME	364HP				HZ	60			PH	3
SER.F.	1.15		CODE	H	DES	B		CLASS	B	
NEMA-NOM-EFF	93		PF	89						
RATING	40C AMB-CONT									
CC	010A				USABLE AT 208V					
DE	6313			ODE	6312					
ENCL	OPEN		SN							

Dealers Industrial Equipment -- Visit <https://DealersElectric.com> or call (908) 688-1966 for all of your electric motor & VFD needs!

Parts List		
Part Number	Description	Quantity
SA125912	SA 14E291X159G1	1.000 EA
RA116253	RA 14E291X159G1	1.000 EA
10CB3000A52	KOBX,MACH W/3.50 MTG PAT, 2.00 NPT, #26	1.000 EA
10XN3118K16	5/16-18 X 1' GRADE #5, STL, ZINC PLATE	4.000 EA
HW1001A31	LOCKWASHER 5/16, ZINC PLT.591 OD, .319 I	4.000 EA
WD1000B16	T&B CX70TN TERMINAL	1.000 EA
51XF2520A08	SCREW, HEX SER SLT HD, ZN 1/4-20 X .50 L	1.000 EA
14AD2002	AIR DEFLECTOR, 314 OPEN P-BASE	1.000 EA
10XN2520K10	1/4-20 X 5/8" HX HD SCRW.GRADE 5, XINC P	6.000 EA
HW1001A25	LOCKWASHER 1/4, ZINC PLT .493 OD, .255 I	6.000 EA
10XN5013K64	HEX HD SCREW, 1/2-13X4.00GRADE 5, ZINC P	4.000 EA
HW1001A50	LOCKWASHER 1/2, ZINC PLT.,.879 OD, .509 I	4.000 EA
HW4600B42	V-RING SLINGER 2.375 X 3.070 X .28 VITON	1.000 EA
HW5100A15	W4997-050 WVY WSHR (WB)	1.000 EA
14EP1501A03	PUEP, MACH W/313 BRG	1.000 EA
10XN3816K92	3/8-16 X 5.75 HEX HEAD CAP SCREW GRADE 5	4.000 EA
HW1001A38	LOCKWASHER 3/8, ZINC PLT .688 OD, .382 I	4.000 EA
10XN5013K52	1/2-13 X3 1/4 HEX HD BOLT	4.000 EA
HW1001A50	LOCKWASHER 1/2, ZINC PLT.,.879 OD, .509 I	4.000 EA
14FH1501A01	DRIP COVER, MACH	1.000 EA
HW3201A14	.75-10 EYEBOLT W/2.50 SHANK	2.000 EA
HW1000A75	WASHER, 3/4 FLAT, ZN	2.000 EA
HW1001A75	WASHER, 3/4 SPLT LK, ZN	2.000 EA
10CB3500	CONDUIT BOX LID, CAST	1.000 EA

Parts List (continued)		
Part Number	Description	Quantity
51XW2520A12	.25-20 X .75, TAPTITE II, HEX WSHR SLTD	4.000 EA
HW2501G32	KEY, 3/8 SQ X 3.750	1.000 EA
LB1182	WARNING LABEL FOR MOTORS WITH EYENUTS	1.000 EA
LB5040	INSTRUCT TAG, REPL W/MN416 OR MN416A01	1.000 EA
14EP1204A01P4	FREP, MACH W/FINISH PAINT ONLY	1.000 EA
HW4500A03	GREASE FITTING, .125 NPT 1610(ALEMITE) 8	1.000 EA
HW4500A17	317400 ALEMITE GREASE RELIEF	1.000 EA
HA4051A00	PLASTIC CAP FOR GREASE FITTING	1.000 EA
MJ1000A02	GREASE, POLYREX EM EXXON (USe 4824-15A)	0.220 LB
HW4500A03	GREASE FITTING, .125 NPT 1610(ALEMITE) 8	1.000 EA
HW4500A17	317400 ALEMITE GREASE RELIEF	1.000 EA
HA4051A00	PLASTIC CAP FOR GREASE FITTING	1.000 EA
MG1000G27	MED CHARCOAL METALLIC GREY 400-0096	0.140 GA
85XU0407A04	#4-7 X 1/4 DRIVE PIN	2.000 EA
LB1119N	WARNING LABEL	1.000 EA
LC0181	CONNECTION LABEL	1.000 EA
NP1256L	ALUM UL CSA CC	1.000 EA
14PA1000	PACKAGING 314 GROUP COMBINED PRINT	1.000 EA
PK6538	2X4 X 11 SPACER	4.000 EA
LB1357	ENERGY GUIDE LABEL (BOX LABEL)	1.000 SH
MN416A01	TAG-INSTAL-MAINT no wire (1200/bx) 11/14	1.000 EA
LB1417	LABEL CARTON 6X4 PERFORATED BLANK ROLLS	1.000 EA

**AC Induction Motor Performance Data**  
Record # 4072 - Typical performance - not guaranteed values

<b>Winding:</b> 14WGX159-R001	<b>Type:</b> 1452M	<b>Enclosure:</b> OPEN
-------------------------------	--------------------	------------------------

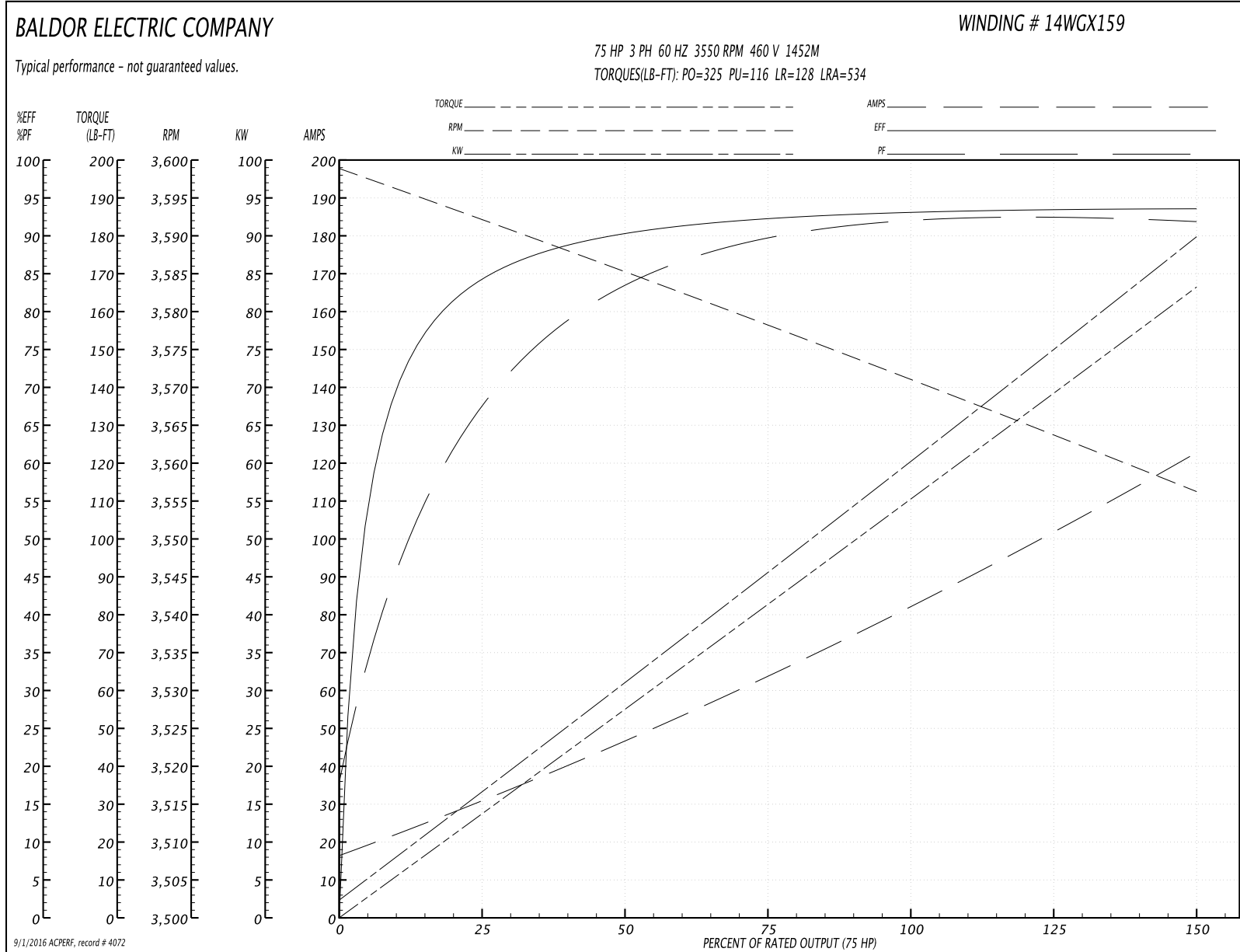
Nameplate Data				460 V, 60 Hz: High Voltage Connection	
Rated Output (HP)	75			Full Load Torque	111 LB-FT
Volts	230/460			Start Configuration	direct on line
Full Load Amps	170/85			Breakdown Torque	325 LB-FT
R.P.M.	3550			Pull-up Torque	116 LB-FT
Hz	60	Phase	3	Locked-rotor Torque	128 LB-FT
NEMA Design Code	B	KVA Code	H	Starting Current	534 A
Service Factor (S.F.)	1.15			No-load Current	17.5 A
NEMA Nom. Eff.	93	Power Factor	89	Line-line Res. @ 25°C	0.0884 Ω
Rating - Duty	40C AMB-CONT			Temp. Rise @ Rated Load	25°C
S.F. Amps				Temp. Rise @ S.F. Load	28°C
				Rotor inertia	6.86 LB-FT <sup>2</sup>

**Load Characteristics 460 V, 60 Hz, 75 HP**

% of Rated Load	25	50	75	100	125	150	S.F.
Power Factor	71	86	91	89	92	93	91
Efficiency	83.6	90.2	92.4	93.2	93.5	93.5	93.4
Speed	3592	3585	3578	3571	3564	3556	3567
Line amperes	30.1	45.7	63.5	85	102	122	95.2

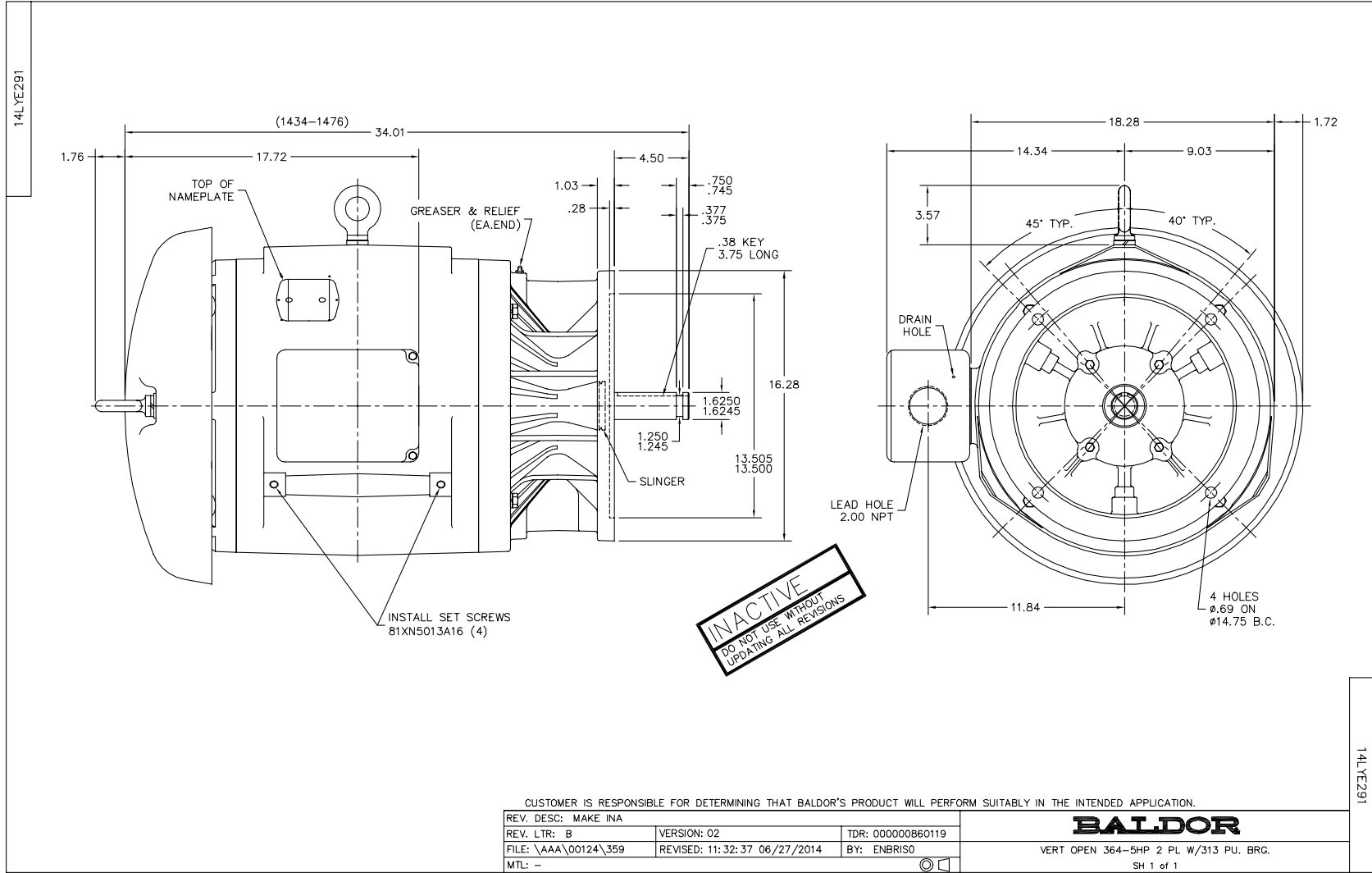
Dealers Industrial Equipment -- Visit <https://DealersElectric.com> or call (908) 688-1966 for all of your electric motor & VFD needs!

Performance Graph at 460V, 60Hz, 75.0HP Typical performance - Not guaranteed values



Dealers Industrial Equipment -- Visit <https://DealersElectric.com> or call (908) 688-1966 for all of your electric motor & VFD needs!

Dealers Industrial Equipment -- Visit <https://DealersElectric.com> or call (908) 688-1966 for all of your electric motor & VFD needs!





Dealers Industrial Equipment -- Visit <https://DealersElectric.com> or call (908) 688-1966 for all of your electric motor & VFD needs!

