



BALDOR® • RELIANCE

Product Information Packet

PYM80508

1.35HP,3450RPM,3PH,60HZ,48YZ,3416M,TENV

| Part Detail | | | | | | | |
|-------------|------|----------------|-------|-------------|----------|---------------|--------------|
| Revision: | H | Status: | NLA/A | Change #: | | Proprietary: | No |
| Type: | AC | Prod. Type: | 3416M | Elec. Spec: | 34WG4303 | CD Diagram: | CD0006 |
| Enclosure: | TENV | Mfg Plant: | | Mech. Spec: | 34K854 | Layout: | 34LYK854 |
| Frame: | 42CZ | Mounting: | F1 | Poles: | 02 | Created Date: | 07-02-2007 |
| Base: | N | Rotation: | R | Insulation: | F | Eff. Date: | 11-26-2007 |
| Leads: | 3#18 | | | | | Replaced By: | 34K854S252G2 |
| Literature: | | Elec. Diagram: | | | | | |

Dealers Industrial Equipment -- Visit <https://DealersElectric.com> or call (908) 688-1966 for all of your electric motor & VFD needs!

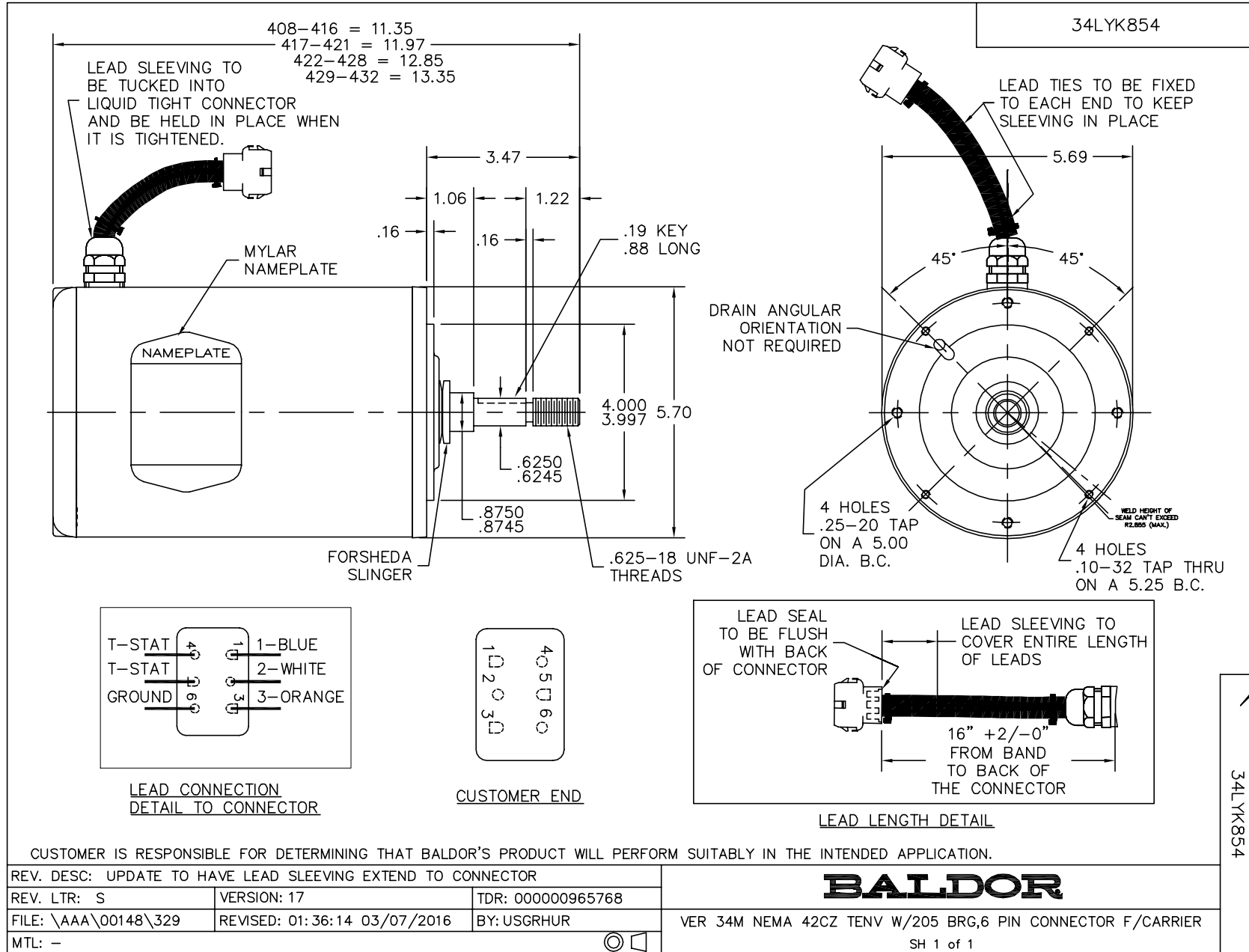
| | | | | | | | | | | |
|-------------------|---------------|--|--|------|------|-----|---|----------------|---|--|
| Nameplate NP2016L | | | | | | | | | | |
| CAT.NO. | | | | | | | | | | |
| SPEC. | 34K854-4303G1 | | | | | | | | | |
| HP | 1.35 | | | | | | | | | |
| VOLTS | 460 | | | | | | | | | |
| AMP | 1.9 | | | | | | | | | |
| RPM | 3450 | | | | | | | | | |
| FRAME | 42CZ | | | | HZ | 60 | | PH | 3 | |
| SER.F. | 1.00 | | | CODE | H | DES | B | CLASS | F | |
| NEMA-NOM-EFF | 75.5 | | | PF | 77 | | | | | |
| RATING | 65C AMB-CONT | | | | | | | | | |
| CC | | | | | | | | USABLE AT 208V | | |
| DE | 6205 | | | ODE | 6203 | | | | | |
| ENCL | TENV | | | SN | | | | | | |

Dealers Industrial Equipment -- Visit <https://DealersElectric.com> or call (908) 688-1966 for all of your electric motor & VFD needs!

| Parts List | | |
|---------------|--|-----------|
| Part Number | Description | Quantity |
| SA159903 | SA 34K854-4303G1 | 1.000 EA |
| RA148506 | RA 34K854-4303G1 | 1.000 EA |
| WD1666A01 | CONNECTOR, 6 PINS, RELIANCE # 411701-19 | 1.000 EA |
| WD1667A01 | CONNECTOR PINS, RELIANCE # 411702-30-A | 6.000 EA |
| WD4102A07 | STRAIN RELIEF - MICRO PLASTIC #23MP07W20 | 1.000 EA |
| ML1000D18 | CR LK WIRE- GREEN 18 GA | 20.000 IN |
| WD1000D88 | T&B RA873M,TRM.INS RING,#10 STUD,22-18 G | 1.000 EA |
| 11XW1032G06 | 10-32 X .38, TAPTITE II, HEX WSHR SLTD U | 1.000 EA |
| 34EP1100A121E | FR ENDPLATE, MACH BLACK E-COAT | 1.000 EA |
| HW5100A03 | WAVY WASHER (W1543-017) | 1.000 EA |
| 34EP1108A01E | PULLEY ENDPLATE, MACH BLACK E-COAT | 1.000 EA |
| HW2502D08 | KEY, 3/16 X .875 SS | 1.000 EA |
| HA7000A04 | KEY RETAINER 0.625 DIA SHAFTS | 1.000 EA |
| MJ5001A27 | 32220KN GRAY SEALER *MIN BUY 4 QTS=1GAL | 0.001 QT |
| MG1000N49 | MUNSELL 8.5BG 3.57/2.0, GLOSS 30, B/G, | 0.014 GA |
| 10XF0440S02 | 04-40 X 1/8 TYPE F HEX HD STAINLESS STIC | 2.000 EA |
| HA3169A10 | THRUBOLT #8-32 THDS X 6.938" LONG | 4.000 EA |
| LB1172A04 | CUSTOM MTR CARTON LABEL, RELIANCE ELEC | 1.000 EA |
| LB1119N | WARNING LABEL | 1.000 EA |
| MN416A01 | TAG-INSTAL-MAINT no wire (1200/bx) 11/14 | 1.000 EA |
| NP2016L | NP W/RELIANCE LOGO, GP SERIES | 1.000 EA |
| 35PA1000 | PKG GRP, PRINT PK1008A06 | 1.000 EA |
| PK3083T | STYROFOAM PACKING CRADLE | 1.000 EA |

No performance data has been assigned to this product.

Dealers Industrial Equipment -- Visit <https://DealersElectric.com> or call (908) 688-1966 for all of your electric motor & VFD needs!



Dealers Industrial Equipment -- Visit <https://DealersElectric.com> or call (908) 688-1966 for all of your electric motor & VFD needs!

CD0006

TYPICAL WYE-CONNECTED MOTOR

1-BLU
2-WHT
3-ORG
J-BRN
OPTIONAL THERMOSTATS
J-BRN

1 2 3
LINE

TYPICAL DELTA-CONNECTED MOTOR

1-BLU
2-WHT
3-ORG
J-BRN
OPTIONAL THERMOSTATS
J-BRN

NOTES:

1. THREE LEAD MOTOR MAY BE EITHER WYE CONNECTED OR DELTA CONNECTED.
2. INTERCHANGE ANY TWO LINE LEADS TO REVERSE ROTATION.
3. OPTIONAL THERMOSTATS ARE PROVIDED WHEN SPECIFIED.
4. ACTUAL NUMBER OF INTERNAL PARALLEL CIRCUITS MAY VARY.
5. LEAD COLORS ARE OPTIONAL. LEADS MUST BE NUMBERED AS SHOWN.

| | | | | | |
|---|---------|------------------------|--------------|---------------------|--|
| REV. DESC: REVISE TO SHOW OPTIONAL COLORS | | | | BALDOR ELECTRIC Co. | 3PH, SV, 3 LEADS, WYE OR DELTA CONNECTED |
| REV. LTR: D | BY: JLP | REVISED: 01/21/99 4:02 | TDR: 0171435 | | |
| 9000D | | FILE: AAA00005141 | MDL: - | | |
| | | MTL: - | | | |

CD0006