



BALDOR® • RELIANCE

Product Information Packet

P56X4100

.25HP, 1725RPM, 3PH, 60HZ, 56, 3513M, XPFC, F1

Part Detail							
Revision:	J	Status:	INA/A	Change #:		Proprietary:	No
Type:	AC	Prod. Type:	3513M	Elec. Spec:	35WGY937	CD Diagram:	CD0007
Enclosure:	XPFC	Mfg Plant:		Mech. Spec:	35W367	Layout:	35LYW367
Frame:	56	Mounting:	F1	Poles:	04	Created Date:	06-20-2007
Base:	RG	Rotation:	R	Insulation:	F	Eff. Date:	09-17-2015
Leads:	12#18					Replaced By:	
Literature:		Elec. Diagram:					

Dealers Industrial Equipment -- Visit <https://DealersElectric.com> or call (908) 688-1966 for all of your electric motor & VFD needs!

Nameplate NP1871L										
CAT.NO.	P56X4100									
SPEC.	35W367Y937G1									
HP	.25									
VOLTS	230/460									
AMP	1.1/.55									
RPM	1725									
FRAME	56				HZ	60			PH	3
SER.F.	1.15			CODE	N	DES	B		CLASS	F
NEMA-NOM-EFF	72				PF	56				
RATING	40C AMB-CONT									
CC	USABLE AT 208V									
DE	6205				ODE	6203				
ENCL	XPFC			SN						
	THERMAL PROTECTED									

Dealers Industrial Equipment -- Visit <https://DealersElectric.com> or call (908) 688-1966 for all of your electric motor & VFD needs!

Nameplate NP1763XPSL			
NO.			
SPEC.	35W367Y937G1		
XPNPCL1	I		XPNPGR1 D
XPNPCL2	II		XPNPGR2 F&G
XPNPCL3	I		XPNPZN3 1
XPNPTMP	T3C		XPNPGR3 IIA
BLANK	P56X4100		
BLANK	75C RISE		

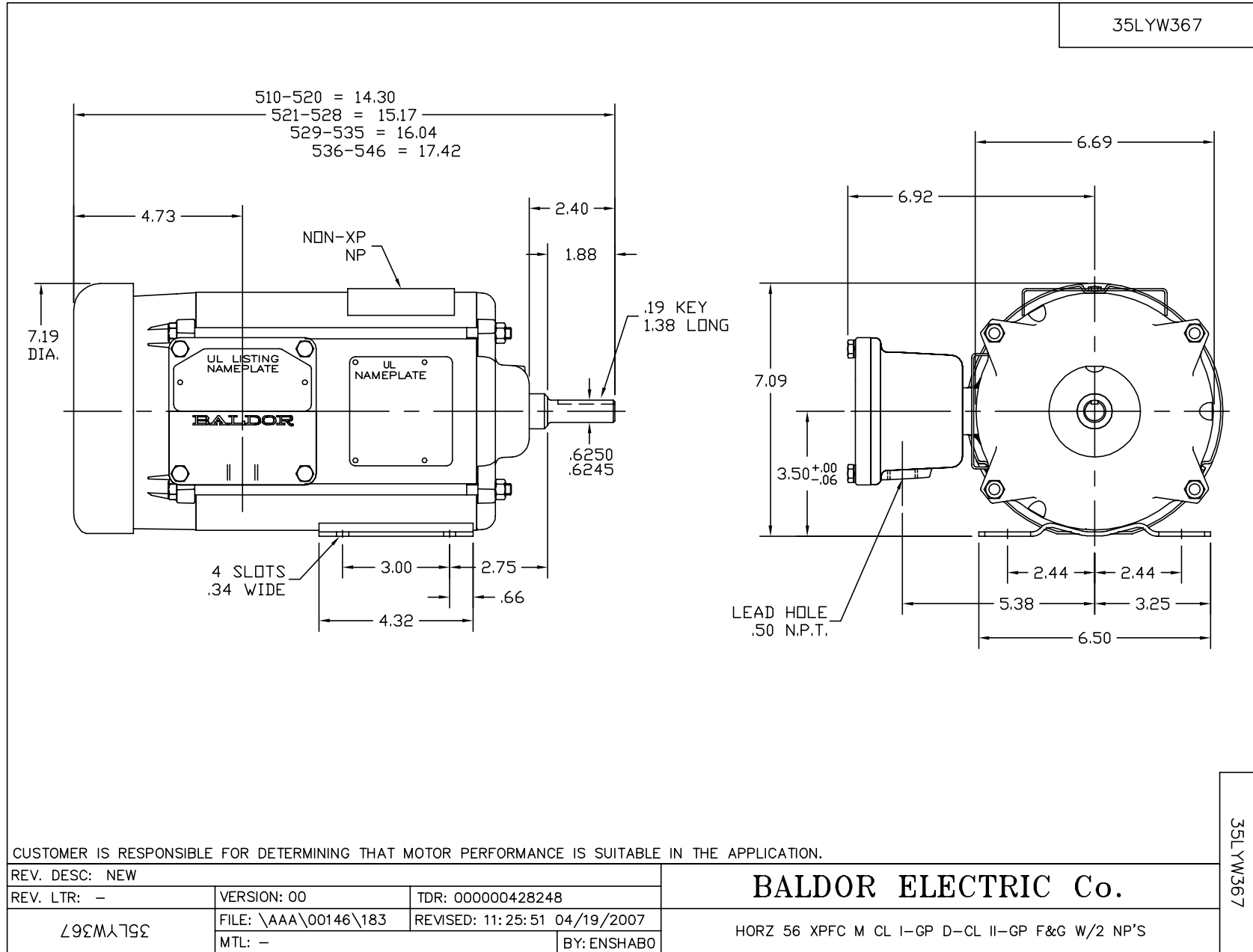
Parts List		
Part Number	Description	Quantity
SA159608	SA 35W367Y937G1	1.000 EA
RA148212	RA 35W367Y937G1	1.000 EA
TPMYJ74KX	THERMAL 3PH 0.75 AUT 120C	1.000 EA
35CB3001A01SP	EXPL CONDUIT BOX, MACH, 1/2" PIPE TAP LE	1.000 EA
11XW1032G06	10-32 X .38, TAPTITE II, HEX WSHR SLTD U	1.000 EA
HW3001B01	BRASS CUP WASHER, FOR #8 SCREW	1.000 EA
35EP3700A01SP	FR ENDPLATE, XPFC	1.000 EA
HW5100A03	WAVY WASHER (W1543-017)	1.000 EA
35EP3701A01	PU ENDPLATE, XPFC - 205 BRG	1.000 EA
XY3118A12	5/16-18 HEX NUT DIRECTIONAL SERRATION	4.000 EA
51XB1214A16	12-14X1.00 HXWSSLD SERTYB	1.000 EA
35FH4005A01SP	IEC FH NO GREASER W/PRIMED	1.000 EA
51XW1032A06	10-32 X .38, TAPTITE II, HEX WSHR SLTD S	3.000 EA
35CB3500A01SP	CONDUIT BOX LID, MACH	1.000 EA
51XN2520A16	SCREW, HEX WS SLT, ZN, 1/4-20 X 1.00	4.000 EA
HW2501D13	KEY, 3/16 SQ X 1.375	1.000 EA
HA7000A04	KEY RETAINER 0.625 DIA SHAFTS	1.000 EA
85XU0407S04	4X1/4 U DRIVE PIN STAINLESS	8.000 EA
NP0018F	ALUM UL XP CONDUIT BOX NAMEPLATE	1.000 EA
NS2500A06	INSULATOR,AUTO THER PROT,W/PSA ON 1 SIDE	1.000 EA
HA6001A01	THERMAL RETAINER (PLATED)	1.000 EA
12XF0632A06	6-32X3/8 TY F HEX HD SLT	2.000 EA
MJ1000A02	GREASE, POLYREX EM EXXON (USe 4824-15A)	0.050 LB
35FN3002A05SP	EXFN, PLASTIC, 6.376 OD, .638 ID	1.000 EA

Dealers Industrial Equipment -- Visit <https://DealersElectric.com> or call (908) 688-1966 for all of your electric motor & VFD needs!

Parts List (continued)		
Part Number	Description	Quantity
MG1025N19	PAINT, 778.50 WILKO, RELIANCE ELEC GREEN	0.017 GA
HA3104A06	THRUBOLT 5/16-18 X 8.50 OHIO ROD	4.000 EA
LB1118	LABEL,WARNING (ROLL LABEL)	1.000 EA
LC0007	CONNECTION LABEL	1.000 EA
NP1871L	SS NO LOGO'S CC AUXILLARY DATA	1.000 EA
NP1763XPSL	SS XP UL CSA AUXILIARY DATA	1.000 EA
36PA1000	PKG GRP, PRINT PK1016A06	1.000 EA
MN416A01	TAG-INSTAL-MAINT no wire (1200/bx) 11/14	1.000 EA
LB1417	LABEL CARTON 6X4 PERFORATED BLANK ROLLS	1.000 EA

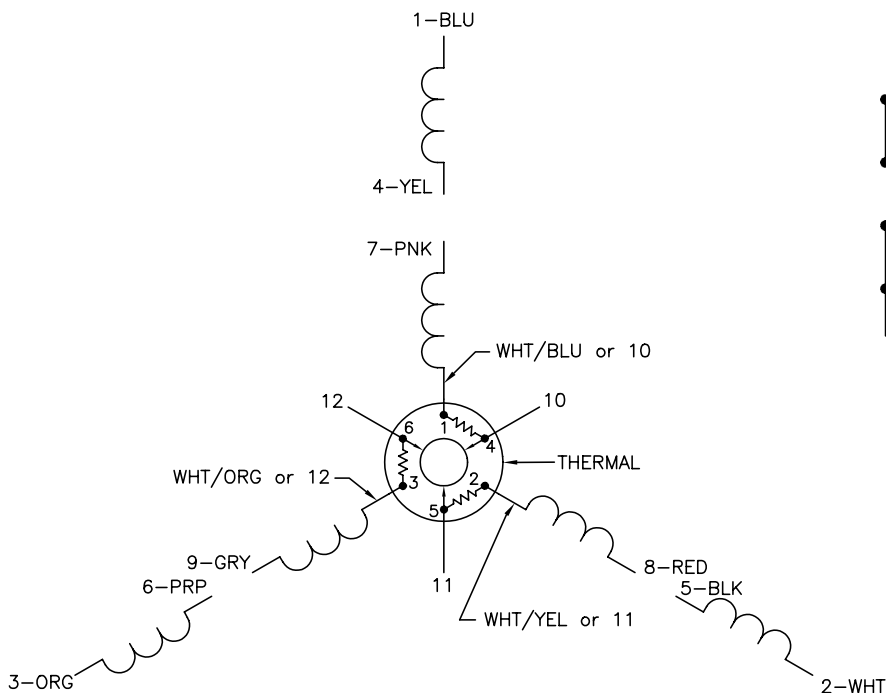
No performance data has been assigned to this product.

Dealers Industrial Equipment -- Visit <https://DealersElectric.com> or call (908) 688-1966 for all of your electric motor & VFD needs!

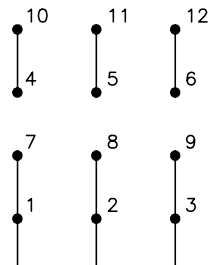


Dealers Industrial Equipment -- Visit <https://DealersElectric.com> or call (908) 688-1966 for all of your electric motor & VFD needs!

CD0007

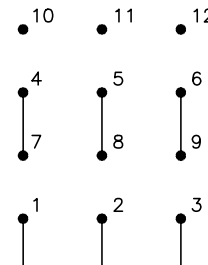


LOW VOLTAGE
(2Y)



LINE

HIGH VOLTAGE
(1Y)



LINE

NOTES:

1. INTERCHANGE ANY TWO LINE LEADS TO REVERSE ROTATION.
2. ACTUAL NUMBER OF INTERNAL PARALLEL CIRCUITS MAY VARY.
3. LEAD COLORS ARE OPTIONAL. LEADS MUST ALWAYS BE NUMBERED AS SHOWN.

REV. DESC: ADDED "CK" PLANT CODE			
REV. LTR: E	BY: EAH	REVISED: 05/06/99 17:1	TDR: 0181040
L000D0		FILE: AAA00008370	MDL: -
		MTL: -	

BALDOR ELECTRIC Co.

3PH, DV, THERMAL, 12 LEADS

CD0007