



# **BALDOR® • RELIANCE**

## **Product Information Packet**

### **P56H6522**

**.33HP,3500RPM,3PH,60HZ,56C,3513M,TENV,F1**

Part Detail							
Revision:	S	Status:	PRD/A	Change #:		Proprietary:	No
Type:	AC	Prod. Type:	3513M	Elec. Spec:	35WGT750	CD Diagram:	CD0005
Enclosure:	TENV	Mfg Plant:		Mech. Spec:	35W464	Layout:	35LYW464
Frame:	56C	Mounting:	F1	Poles:	02	Created Date:	06-22-2007
Base:	RG	Rotation:	R	Insulation:	H	Eff. Date:	06-30-2016
Leads:	9#18					Replaced By:	
Literature:		Elec. Diagram:					

Nameplate NP1496L										
CAT.NO.	P56H6522									
SPEC.	35W464T750G1									
HP	.33									
VOLTS	230/460									
AMP	1/5									
RPM	3500									
FRAME	56C				HZ	60			PH	3
SER.F.	1.00		CODE	M	DES	B		CLASS	H	
NEMA-NOM-EFF	78.5		PF	80						
RATING	40C AMB-CONT									
CC							USABLE AT 208V			
DE	6205			ODE	6203					
ENCL	TENV		SN							
	INVERTER DUTY									

Dealers Industrial Equipment -- Visit <https://DealersElectric.com> or call (908) 688-1966 for all of your electric motor & VFD needs!

Parts List		
Part Number	Description	Quantity
SA158113	SA 35W464T750G1	1.000 EA
RA146765	RA 35W464T750G1	1.000 EA
NS2512A01	INSULATOR, CONDUIT BOX X	1.000 EA
35CB3008A01W	35 CB .50 NPT @ 6, MACH WHITE EPOXY	1.000 EA
35GS1039	05 MOLDED GASKET W/LIP, 1.12 LEAD HOLE,	1.000 EA
51XB1016A07	10-16 X 7/16 HXWSSLD SERTYB	2.000 EA
11XW1032G06	10-32 X .38, TAPTITE II, HEX WSHR SLTD U	1.000 EA
35EP3900T46MW	SPL FACE MTD FR EP -ENCL- FOR SEAL (WHIT	1.000 EA
HW4032A01	BLACK DRAIN PLUG FOR WASH DOWN MOTORS	3.000 EA
HW4600B49	SEAL 0.938 X 1.624 X 0.250 SINGLE LIP DB	1.000 EA
HW4600A09	SEAL 0.656 X 1.124 X 0.250 DOUBLE SHIELD	1.000 EA
HW5100A03	WAVY WASHER (W1543-017)	1.000 EA
35EP3300A48MW	SPL FACE MTD EP - 205 BRG - W/SEAL FOR W	1.000 EA
HW4032A01	BLACK DRAIN PLUG FOR WASH DOWN MOTORS	3.000 EA
12XN1032S20	10-32 X 1-1/4 HEX M.S. , STAINLESS STEEL	2.000 EA
35FH4802	THRU-SH ENC COVER (RELIANCE #602455-97)	1.000 EA
10XN3816A08	3/8-16 X 1/2 HEX HD CAP SCREW	4.000 EA
35CB4522	35 LIPPED CB LID PRIMED	1.000 EA
35GS1030A02	35 GS FOR CB LID - WHITE NEOPRENE	1.000 EA
59XW0832S07	TAPTITE II,HEX WSHR UNSLTD SER,410 S.S.,	4.000 EA
HW4600B46	V-RING SLINGER 0.875 X 1.420 X .24 VITON	1.000 EA
HW2502D13	SS KEY, 3/16 SQ X 1.375	1.000 EA
HA7000A04	KEY RETAINER 0.625 DIA SHAFTS	1.000 EA
MJ5001A27	32220KN GRAY SEALER *MIN BUY 4 QTS=1GAL	0.001 QT

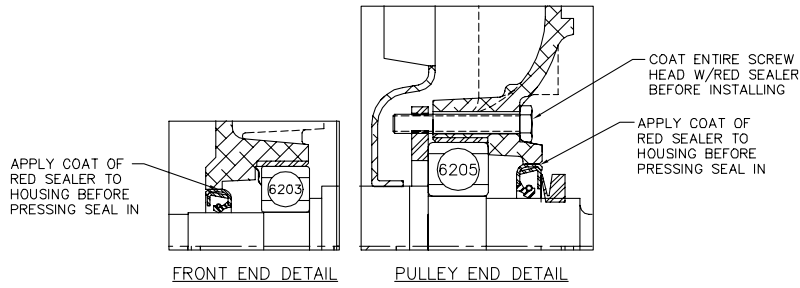
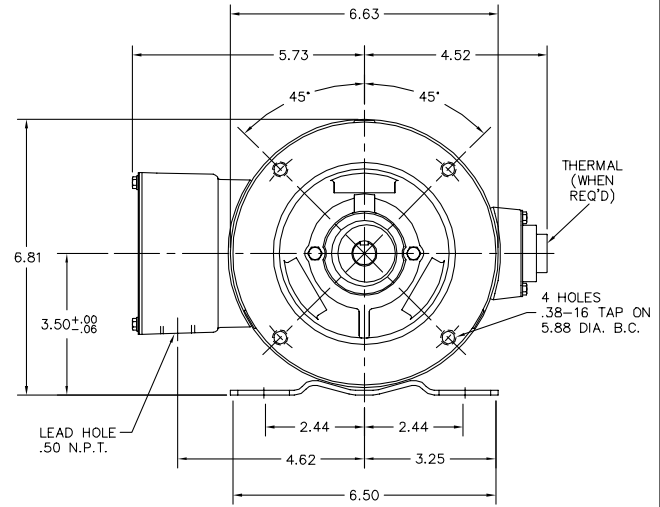
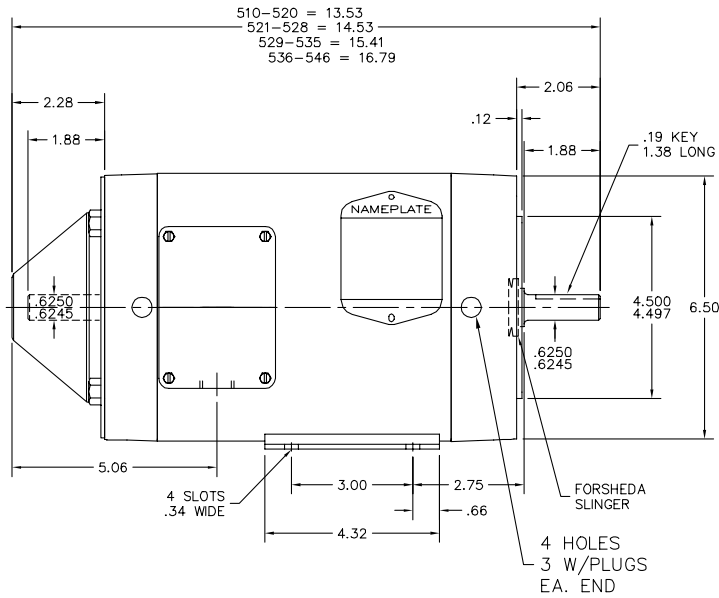
Dealers Industrial Equipment -- Visit <https://DealersElectric.com> or call (908) 688-1966 for all of your electric motor & VFD needs!

<b>Parts List (continued)</b>		
<b>Part Number</b>	<b>Description</b>	<b>Quantity</b>
85XU0407S04	4X1/4 U DRIVE PIN STAINLESS	2.000 EA
LB1164	LABEL,WARNING AND DRAIN	1.000 EA
HA5027A01	HA4066A01 T-DRAIN X2 BAGGED	1.000 EA
MJ1000A02	GREASE, POLYREX EM EXXON (USe 4824-15A)	0.050 LB
MG1025W01	RAL9003, SIGNAL WHITE, GLOSS 781.01	0.017 GA
HA3100S08	THRUBOLT 7.375LG SS	4.000 EA
LC0145B01	CONNECTION LABEL	1.000 EA
NP1496L	SS WD UL CSA CC	1.000 EA
36PA1000	PKG GRP, PRINT PK1016A06	1.000 EA

No performance data has been assigned to this product.

Dealers Industrial Equipment -- Visit <https://DealersElectric.com> or call (908) 688-1966 for all of your electric motor & VFD needs!

35LYW464



CUSTOMER IS RESPONSIBLE FOR DETERMINING THAT MOTOR PERFORMANCE IS SUITABLE IN THE APPLICATION.

REV. DESC: NO CHANGE		
REV. LTR: A	VERSION: 01	TDR: 000000435729
FILE: \AAA\00147\423	REVISED: 17:00:29 06/24/2007	BY: ENDANDO
MTL: -		

**BALDOR ELECTRIC Co.**

HOR 56C TENV M WD INVERTER FOR DYNAPAR HS20 ENCODER

35LYW464

Dealers Industrial Equipment -- Visit <https://DealersElectric.com> or call (908) 688-1966 for all of your electric motor & VFD needs!

