



BALDOR® • RELIANCE

Product Information Packet

P56H3788

1HP,1725RPM,3PH,60HZ,56YZ,3516M,TEFC,F3

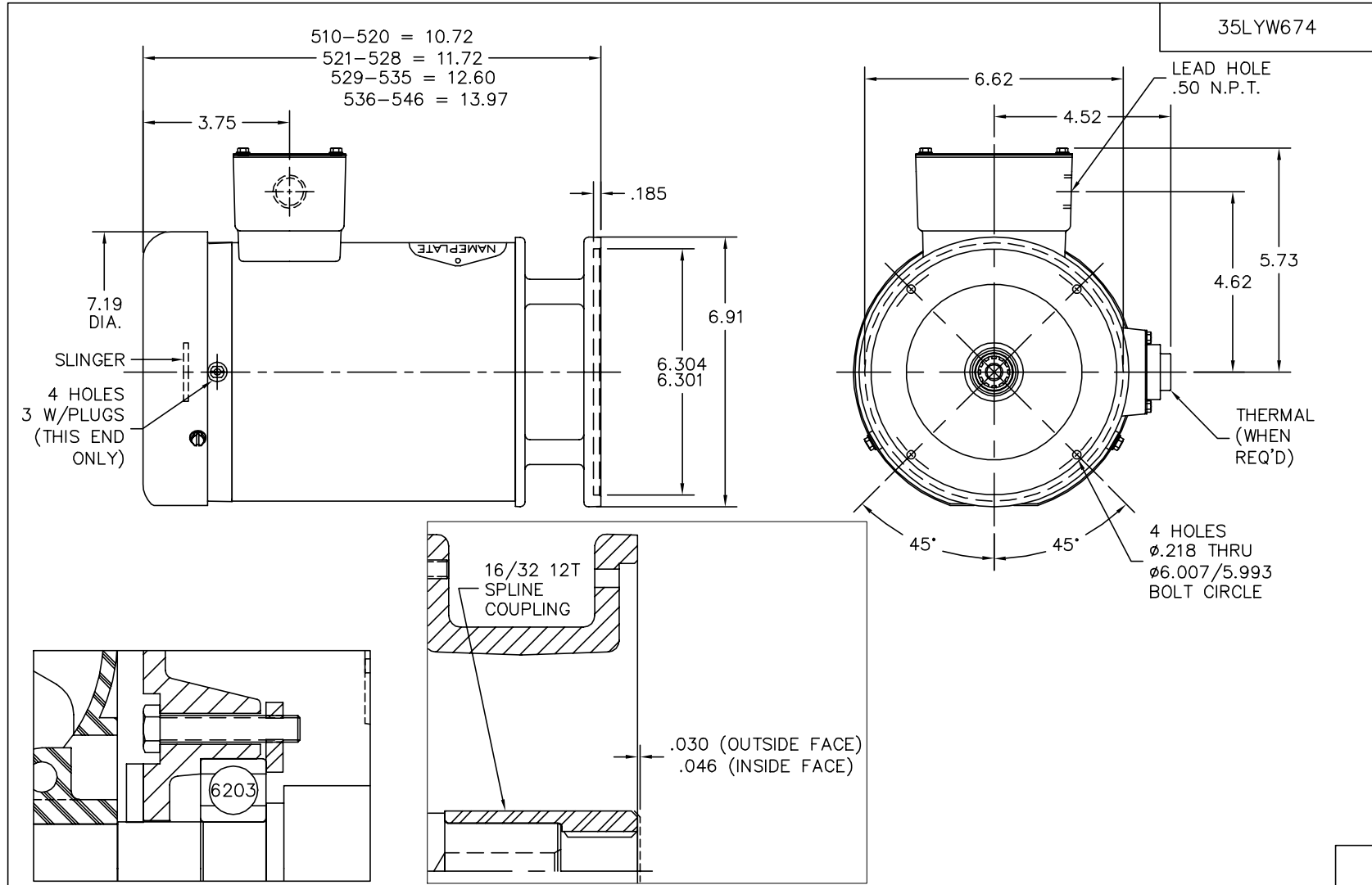
Part Detail							
Revision:	P	Status:	INA/A	Change #:		Proprietary:	No
Type:	AC	Prod. Type:	3516M	Elec. Spec:	35WG0087	CD Diagram:	CD0005
Enclosure:	TEFC	Mfg Plant:		Mech. Spec:	35W674	Layout:	35LYW674
Frame:	56YZ	Mounting:	F3	Poles:	04	Created Date:	03-03-2008
Base:	N	Rotation:	R	Insulation:	F	Eff. Date:	09-22-2015
Leads:	9#18					Replaced By:	
Literature:		Elec. Diagram:					

Dealers Industrial Equipment -- Visit <https://DealersElectric.com> or call (908) 688-1966 for all of your electric motor & VFD needs!

Nameplate NP1496L										
CAT.NO.	P56H3788									
SPEC.	35W674-0087G1									
HP	1									
VOLTS	230/460									
AMP	3.4/1.7									
RPM	1725									
FRAME	56YZ				HZ	60			PH	3
SER.F.	1.00			CODE	J	DES	B		CLASS	F
NEMA-NOM-EFF	77			PF	74					
RATING	40C AMB-CONT									
CC									USABLE AT 208V	
DE					ODE	6203				
ENCL	TEFC			SN						

Dealers Industrial Equipment -- Visit <https://DealersElectric.com> or call (908) 688-1966 for all of your electric motor & VFD needs!

No performance data has been assigned to this product.



FR END DETAIL

PU END DETAIL

CUSTOMER IS RESPONSIBLE FOR DETERMINING THAT MOTOR PERFORMANCE IS SUITABLE IN THE APPLICATION.

REV. DESC: CHANGE COUPLING FROM HA2291 TO HA2292		BALDOR • DODGE • RELIANCE	
REV. LTR: B	VERSION: 02		
479WY76	FILE: \AAA\00149\312	REVISED: 11:01:49 08/01/2008	VER 56YZ TEFC M WD F3 ADPTR,12T XL 21/28(REL.#AE)GEAR MTG
	MTL: -	BY: ENCHECO	SH 1 of 1

35LYW674

Dealers Industrial Equipment -- Visit <https://DealersElectric.com> or call (908) 688-1966 for all of your electric motor & VFD needs!

