



BALDOR® • RELIANCE

Product Information Packet

H3M9101T

.5HP,3450RPM,3PH,60HZ,56,3413M,TEFC,F1

Part Detail							
Revision:	D	Status:	INA/A	Change #:		Proprietary:	No
Type:	AC	Prod. Type:	3413M	Elec. Spec:	34WGX259	CD Diagram:	CD0005
Enclosure:	TEFC	Mfg Plant:		Mech. Spec:	34J282	Layout:	34LYJ282
Frame:	56	Mounting:	F3	Poles:	02	Created Date:	
Base:	RG	Rotation:	R	Insulation:	F	Eff. Date:	03-19-2005
Leads:	9#18					Replaced By:	34J282-0232
Literature:		Elec. Diagram:					

Nameplate NP1562A01	
CAT.NO.	H3M9101T
SPEC.	34J282X259G2
HP	1/2
VOLTS	230/460
AMPS	2/1
RPM	3450
FRAME	56
	HZ 60
SER.F.	1.25
	CODE P
	DES B
	CL F
	PH 3
NEMA-NOM-EFF	74
	PF 61
RATING	40C AMB-CONT
CC	USABLE AT 200V 2.7
DE	6203
	ODE 6203
AUTO	MANUAL
	NONE
ENCL	TEFC
	SN
BLANK	SFA 2.6/1.3

Dealers Industrial Equipment -- Visit <https://DealersElectric.com> or call (908) 688-1966 for all of your electric motor & VFD needs!

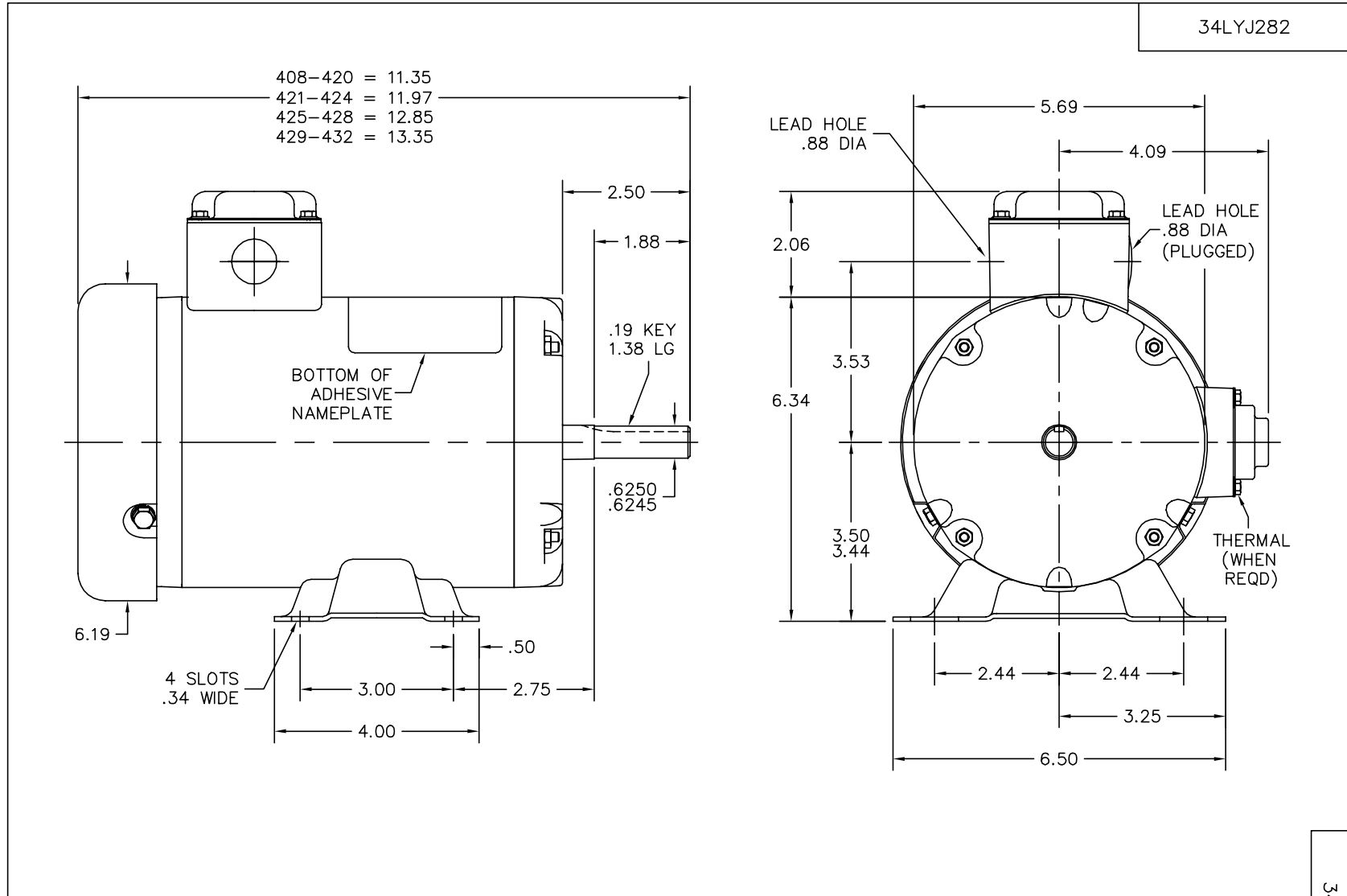
Parts List		
Part Number	Description	Quantity
SA083271	SA 34J282X259G2	1.000 EA
RA076508	RA 34J282X259G2	1.000 EA
NS2512A01	INSULATOR, CONDUIT BOX X	1.000 EA
WD4100A01	DP-875 HEYCO PLUG OR 62MP0875 MICRO PLAS	1.000 EA
34CB3000A16	CONDUIT BOX, W/2 .88 DIA HOLES,1 PLUGGED	1.000 EA
34GS1000SP	390KET, CONDUIT BOX	1.000 EA
51XB1016A07	10-16 X 7/16 HXWSSLD SERTYB	2.000 EA
11XW1032G06	10-32X3/8 HX WSHR HD,SLTDTYPE 23,GREEN	1.000 EA
34EP3102A01SP	FR ENDPLATE, MACH	1.000 EA
HW5100A03	WAVY WASHER (W1543-017)	1.000 EA
34EP3102A02SP	FR/PU ENDPLATE, MACH	1.000 EA
XY1032A02	10-32 HEX NUT DIRECTIONAL SERRATION	4.000 EA
34FN3002A01SP	EXTERNAL FAN, PLASTIC, .637/.639 HUB W/	1.000 EA
34FH4002A01	IEC FH NO GREASER PRIMED	1.000 EA
51XW1032A06	10-32 X .38, TAPTITE II, HEX WSHR SLTD S	3.000 EA
34CB4512	34 CB LID	1.000 EA
34GS1001	GASKET, STD CONDUIT BOX LID (LEXIDE)	1.000 EA
51XT0832A07	8-32 X .44 TYPE 23 HEX WASHER SLOTTED	4.000 EA
HW2501D13	KEY, 3/16 SQ X 1.375	1.000 EA
HA7000A04	KEY RETAINER 0.625 DIA SHAFTS	1.000 EA
HA3100A12	THRUBOLT 10-32 X 7.375	4.000 EA
MG1000G55	PAINT,WILKO 682.62 LACQUER LIGHT GRAY	0.014 GA
LB5001	INSTRUCTION TAG	1.000 EA
LB1119N	WARNING LABEL	1.000 EA

Parts List (continued)		
Part Number	Description	Quantity
LB1125C04	STD-E (STOCK CTN LABEL STD-E WITH FLAG)	1.000 EA
NP1562A01	NP LABEL W/CD0005 (FOR HVAC MOTOR)	1.000 EA
35PA1000	PKG GRP, PRINT PK1008A06	1.000 EA
LB1417	LABEL CARTON 6X4 PERFORATED BLANK ROLLS	1.000 EA

Dealers Industrial Equipment -- Visit <https://DealersElectric.com> or call (908) 688-1966 for all of your electric motor & VFD needs!

No performance data has been assigned to this product.

Dealers Industrial Equipment -- Visit <https://DealersElectric.com> or call (908) 688-1966 for all of your electric motor & VFD needs!



CUSTOMER IS RESPONSIBLE FOR DETERMINING THAT MOTOR PERFORMANCE IS SUITABLE IN THE APPLICATION.

REV. DESC: NEW			
REV. LTR: -	BY: JD	REVISED: 07: 58: 49 11/02/2001	TDR: 253872
34LYJ282		FILE: AAA00089980	REF: 34LYJ282
		MTL: -	

BALDOR ELECTRIC Co.

HORZ 34M NEMA 56 TEFC HVAC W/KO & NAMEPLATE AT 12 O'CLOCK

34LYJ282

Dealers Industrial Equipment -- Visit <https://DealersElectric.com> or call (908) 688-1966 for all of your electric motor & VFD needs!

