



BALDOR® • RELIANCE

Product Information Packet

FM3116T-8

1HP,1725RPM,3PH,60HZ,143T,3424M,OPEN,F2

Part Detail							
Revision:	F	Status:	INA/A	Change #:		Proprietary:	No
Type:	AC	Prod. Type:	3424M	Elec. Spec:	34WGX255	CD Diagram:	CD0006
Enclosure:	OPEN	Mfg Plant:		Mech. Spec:	34H340	Layout:	34LYH340
Frame:	143T	Mounting:	F2	Poles:	04	Created Date:	
Base:	RG	Rotation:	R	Insulation:	B	Eff. Date:	11-19-2008
Leads:	3#18					Replaced By:	
Literature:		Elec. Diagram:					

Dealers Industrial Equipment -- Visit <https://DealersElectric.com> or call (908) 688-1966 for all of your electric motor & VFD needs!

Nameplate NP1256L										
CAT.NO.	FM3116T-8									
SPEC.	34H340X255									
HP	1									
VOLTS	200									
AMP	3.9									
RPM	1725									
FRAME	143T				HZ	60			PH	3
SER.F.	1.15		CODE	K	DES	B		CLASS	B	
NEMA-NOM-EFF	78.5		PF	72						
RATING	40C AMB-CONT									
CC								USABLE AT 208V	N/A	
DE	6205			ODE	6203					
ENCL	OPEN		SN							

Dealers Industrial Equipment -- Visit <https://DealersElectric.com> or call (908) 688-1966 for all of your electric motor & VFD needs!

Parts List		
Part Number	Description	Quantity
SA061043	SA 34H340X255	1.000 EA
RA055362	RA 34H340X255	1.000 EA
NS2512A01	INSULATOR, CONDUIT BOX X	1.000 EA
34CB3001A25	CONDUIT BOX, MACH W/LEAD HOLE AT 12:00	1.000 EA
51XB1016A07	10-16 X 7/16 HXWSSLD SERTYB	2.000 EA
11XW1032G06	10-32 X .38, TAPTITE II, HEX WSHR SLTD U	1.000 EA
34EP3200A01SP	FR ENDPLATE, MACH	1.000 EA
HW5100A03	WAVY WASHER (W1543-017)	1.000 EA
34EP3904A01	PU ENDPLATE, CAST	1.000 EA
XY1032A02	10-32 HEX NUT DIRECTIONAL SERRATION	4.000 EA
36CB4516	36 LIPPED CB LID	1.000 EA
51XW0832A07	8-32 X .44, TAPTITE II, HEX WSHR SLTD SE	4.000 EA
HW2501D13	KEY, 3/16 SQ X 1.375	1.000 EA
HA7000A01	KEY RETAINER 7/8" DIA SHAFT	1.000 EA
MG1000G27	MED CHARCOAL METALLIC GREY 400-0096	0.014 GA
10XF0440S02	04-40 X 1/8 TYPE F HEX HD STAINLESS STIC	2.000 EA
HA3100A45	THRUBOLT 10-32 X 8.875	4.000 EA
MN416A01	TAG-INSTAL-MAINT no wire (1200/bx) 11/14	1.000 EA
LC0006	CONNECTION LABEL	1.000 EA
LB1119N	WARNING LABEL	1.000 EA
LB1125C01	STD (STOCK) CARTON LABEL BALDOR WITH FLA	1.000 EA
NP1256L	ALUM UL CSA CC	1.000 EA
35PA1000	PKG GRP, PRINT PK1008A06	1.000 EA

Accessories		
Part Number	Description	Multiplier
34-3903A	C FACE KIT	A8

AC Induction Motor Performance Data

Record # 7279 - Typical performance - not guaranteed values

Winding: 34WGX255-R006	Type: 3424M	Enclosure: TEFC
-------------------------------	--------------------	------------------------

Nameplate Data				200 V, 60 Hz: Single Voltage Motor	
Rated Output (HP)	1			Full Load Torque	3.1 LB-FT
Volts	200			Start Configuration	direct on line
Full Load Amps	3.9			Breakdown Torque	11.8 LB-FT
R.P.M.	1725			Pull-up Torque	8 LB-FT
Hz	60	Phase	3	Locked-rotor Torque	10.5 LB-FT
NEMA Design Code	B	KVA Code	K	Starting Current	26 A
Service Factor (S.F.)	1.15			No-load Current	2.7 A
NEMA Nom. Eff.	78.5	Power Factor	72	Line-line Res. @ 25°C	3.27 Ω
Rating - Duty	40C AMB-CONT			Temp. Rise @ Rated Load	55°C
S.F. Amps				Temp. Rise @ S.F. Load	62°C
				Rotor inertia	0.0572 LB-FT ²

Load Characteristics 200 V, 60 Hz, 1 HP

% of Rated Load	25	50	75	100	125	150	S.F.
Power Factor	34	51	63	72	77	81	75
Efficiency	59.6	72.6	77.3	79.1	79.3	78.6	79.2
Speed	1778	1760	1741	1721	1698	1673	1707
Line amperes	2.9	3.1	3.5	3.9	4.4	5.1	4.2

Dealers Industrial Equipment -- Visit <https://DealersElectric.com> or call (908) 688-1966 for all of your electric motor & VFD needs!

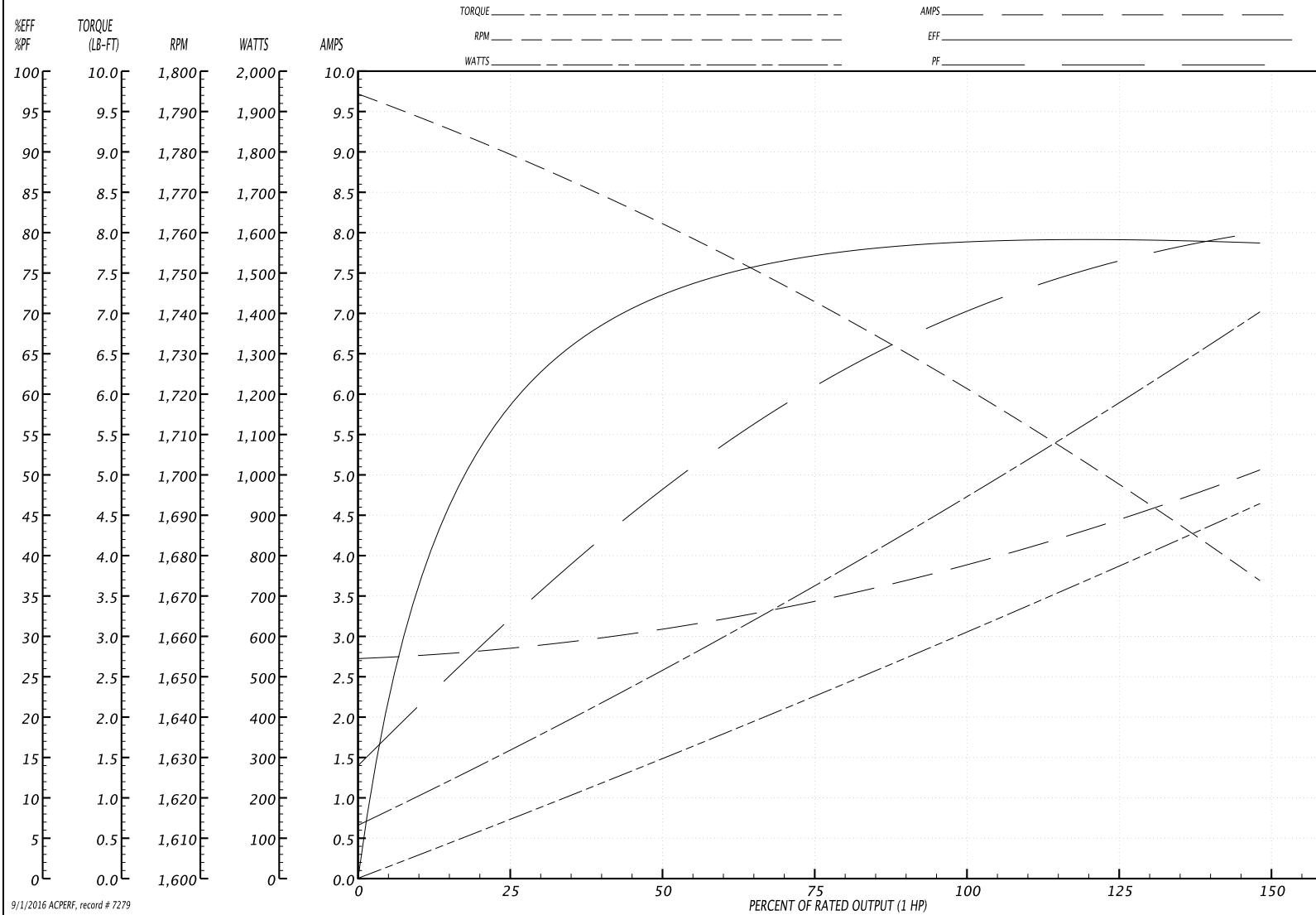
Performance Graph at 200V, 60Hz, 1.0HP Typical performance - Not guaranteed values

BALDOR ELECTRIC COMPANY

WINDING # 34WGX255

Typical performance - not guaranteed values.

1 HP 3 PH 60 HZ 1725 RPM 200 V 3424M
 TORQUES(LB-FT): PO=11.8 PU=8 LR=10.5 LRA=26



9/1/2016 ACPERF, record # 7279

AC Induction Motor Performance Data

Record # 7280 - Typical performance - not guaranteed values

Winding: 34WGX255-R001	Type: 3424M	Enclosure: TEFC
-------------------------------	--------------------	------------------------

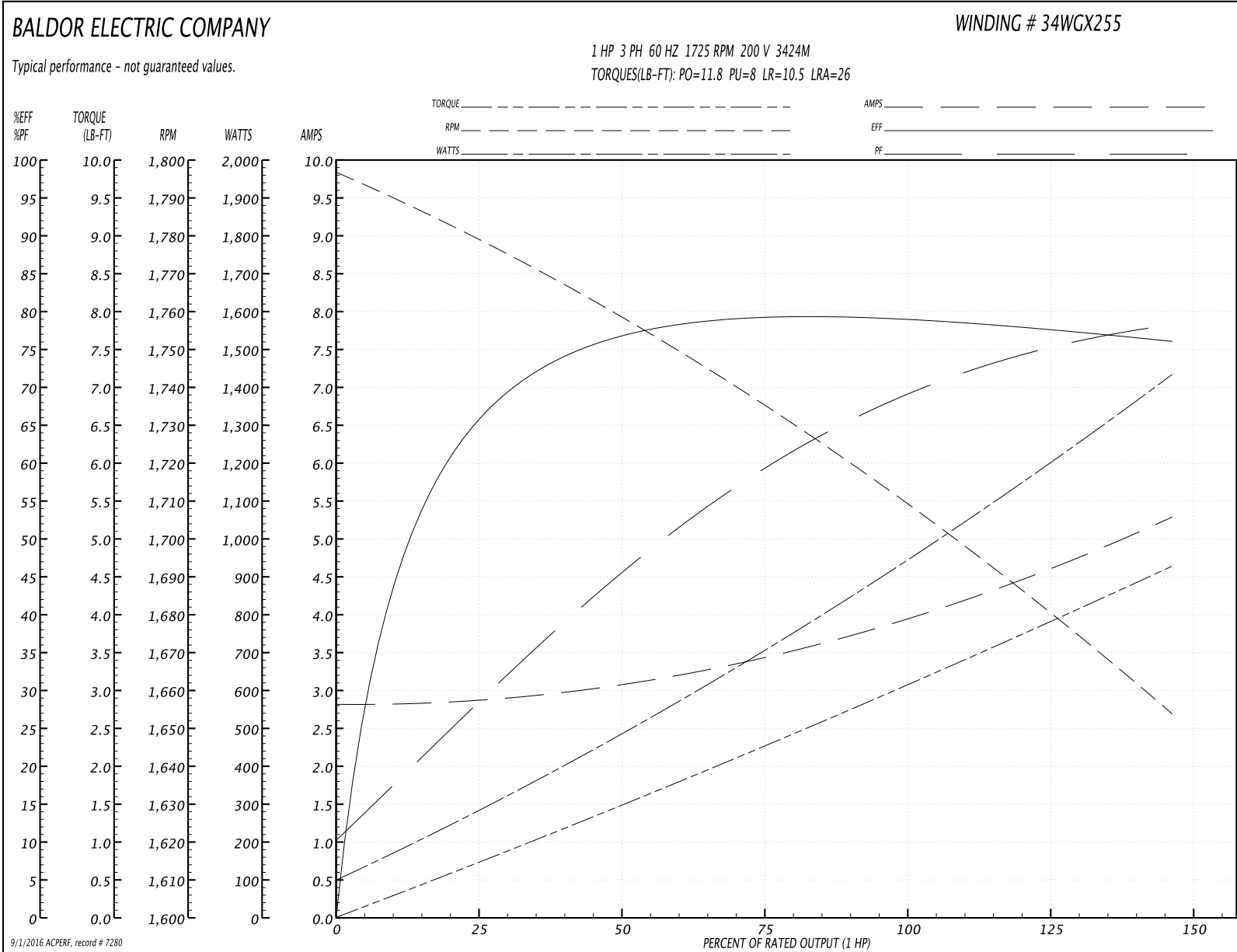
Nameplate Data				200 V, 60 Hz: Single Voltage Motor	
Rated Output (HP)	1			Full Load Torque	3.1 LB-FT
Volts	200			Start Configuration	direct on line
Full Load Amps	3.9			Breakdown Torque	11.8 LB-FT
R.P.M.	1725			Pull-up Torque	8 LB-FT
Hz	60	Phase	3	Locked-rotor Torque	10.5 LB-FT
NEMA Design Code	B	KVA Code	K	Starting Current	26 A
Service Factor (S.F.)	1.15			No-load Current	2.8 A
NEMA Nom. Eff.	78.5	Power Factor	72	Line-line Res. @ 25°C	3.1 Ω
Rating - Duty	40C AMB-CONT			Temp. Rise @ Rated Load	83°C
S.F. Amps				Temp. Rise @ S.F. Load	100°C
				Rotor inertia	0.0572 LB-FT ²

Load Characteristics 200 V, 60 Hz, 1 HP

% of Rated Load	25	50	75	100	125	150	S.F.
Power Factor	30	47	60	70	76	81	0
Efficiency	66.4	76.3	79.3	79.3	78	75.8	0
Speed	1775	1756	1734	1710	1683	1652	0
Line amperes	2.9	3.1	3.5	3.9	4.6	5.3	4.3

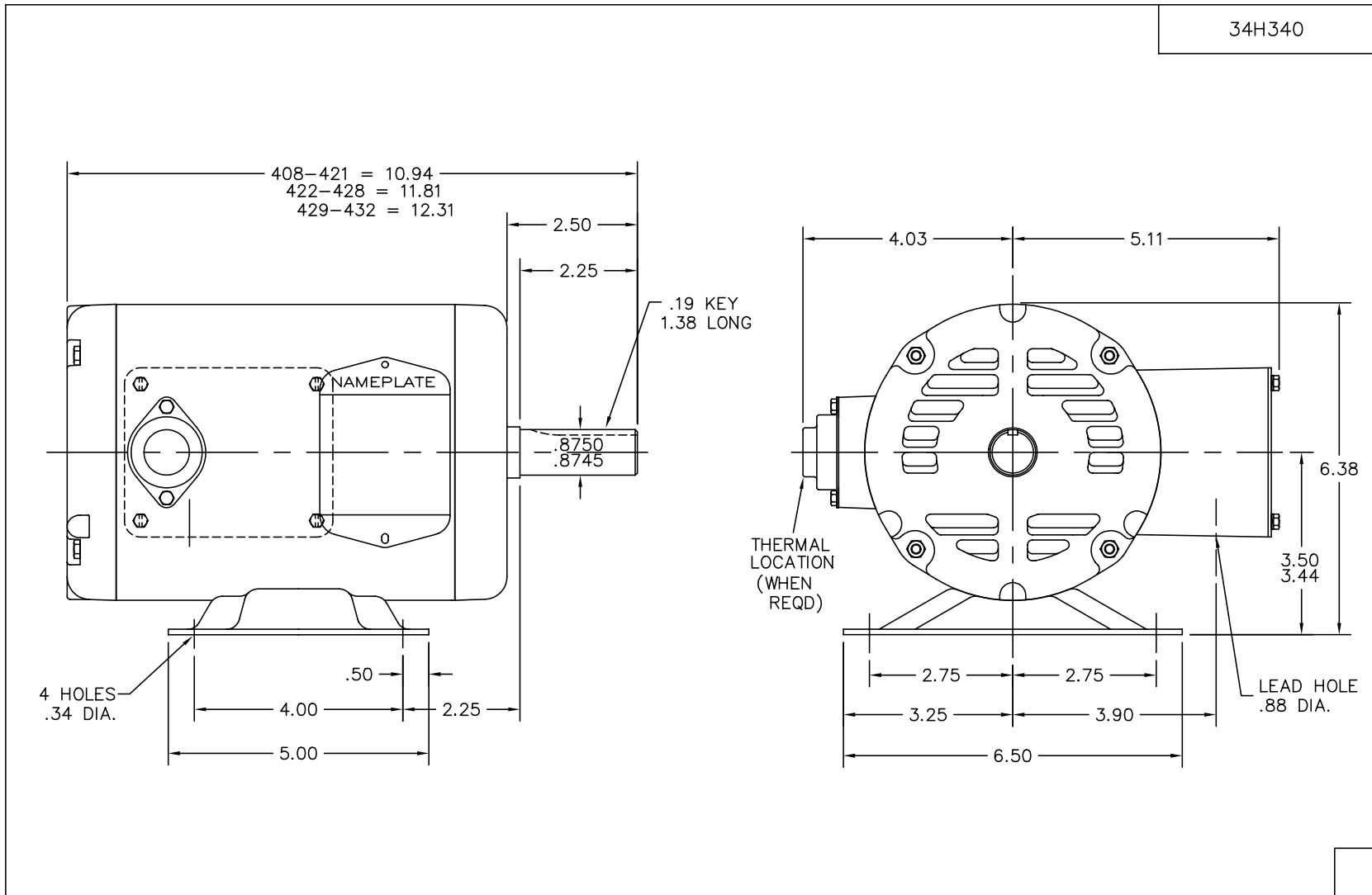
Dealers Industrial Equipment -- Visit <https://DealersElectric.com> or call (908) 688-1966 for all of your electric motor & VFD needs!

Performance Graph at 200V, 60Hz, 1.0HP Typical performance - Not guaranteed values



Dealers Industrial Equipment -- Visit <https://DealersElectric.com> or call (908) 688-1966 for all of your electric motor & VFD needs!

Dealers Industrial Equipment -- Visit <https://DealersElectric.com> or call (908) 688-1966 for all of your electric motor & VFD needs!



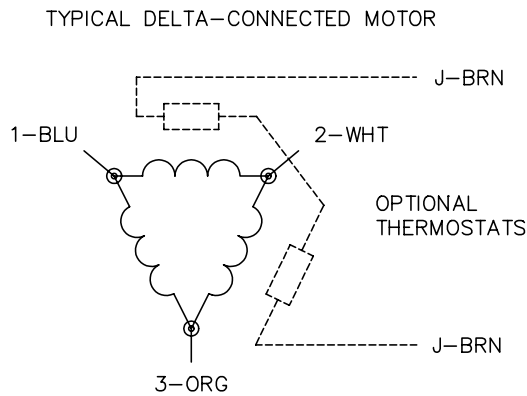
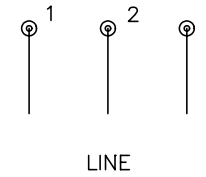
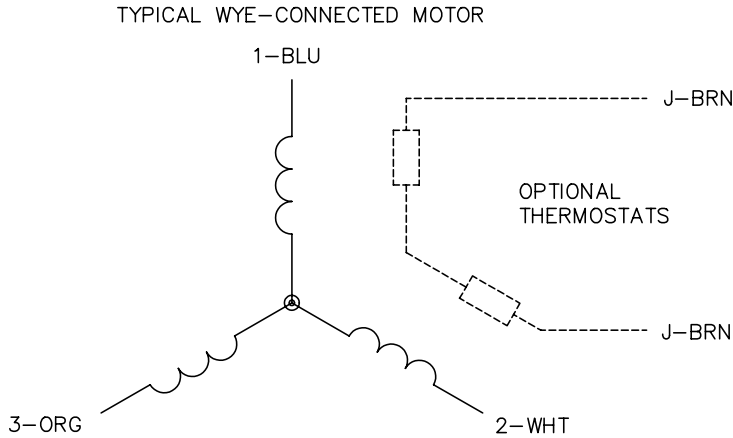
34H340

CUST. NAME		CUST. P.O.		CERTIFIED BY		MODEL		INSUL		AMB							
H.P.		MTG		TYPE		R.P.M.		VOLTS		ENCL		PHASE		FREQ		FRAME	
REMARKS:												BALDOR ELECTRIC Co.					
REV: -		NEW		REF NO: 34D51		BY: WMB		REVISED: 01/12/98									
34H340		FILE: AAA00050760		TDR: 0141216		HORZ 34M NEMA 143T OPEN W/LG CONDUIT BOX (F-2 MTG)											

34H340

Dealers Industrial Equipment -- Visit <https://DealersElectric.com> or call (908) 688-1966 for all of your electric motor & VFD needs!

CD0006



NOTES:

1. THREE LEAD MOTOR MAY BE EITHER WYE CONNECTED OR DELTA CONNECTED.
2. INTERCHANGE ANY TWO LINE LEADS TO REVERSE ROTATION.
3. OPTIONAL THERMOSTATS ARE PROVIDED WHEN SPECIFIED.
4. ACTUAL NUMBER OF INTERNAL PARALLEL CIRCUITS MAY VARY.
5. LEAD COLORS ARE OPTIONAL. LEADS MUST BE NUMBERED AS SHOWN.

REV. DESC: REVISE TO SHOW OPTIONAL COLORS			
REV. LTR: D	BY: JLP	REVISED: 01/21/99 4:02	TDR: 0171435
9000D		FILE: AAA00005141	MDL: -
		MTL: -	

BALDOR ELECTRIC Co.

3PH, SV, 3 LEADS, WYE OR DELTA CONNECTED

CD0006