



BALDOR® • RELIANCE

Product Information Packet

DDC1642A

.25HP, 1075RPM, 1PH, 60HZ, 48YZ, 1711C, OPAO

Part Detail							
Revision:	U	Status:	NLA/A	Change #:		Proprietary:	No
Type:	AC	Prod. Type:	1711C	Elec. Spec:	17WGW486	CD Diagram:	CD1473A03
Enclosure:	OPAO	Mfg Plant:		Mech. Spec:	17E214	Layout:	17LYE214
Frame:	48YZ	Mounting:	F1	Poles:	06	Created Date:	
Base:	N	Rotation:	R	Insulation:	B	Eff. Date:	12-17-2014
Leads:	8#18					Replaced By:	
Literature:		Elec. Diagram:					

Dealers Industrial Equipment -- Visit <https://DealersElectric.com> or call (908) 688-1966 for all of your electric motor & VFD needs!

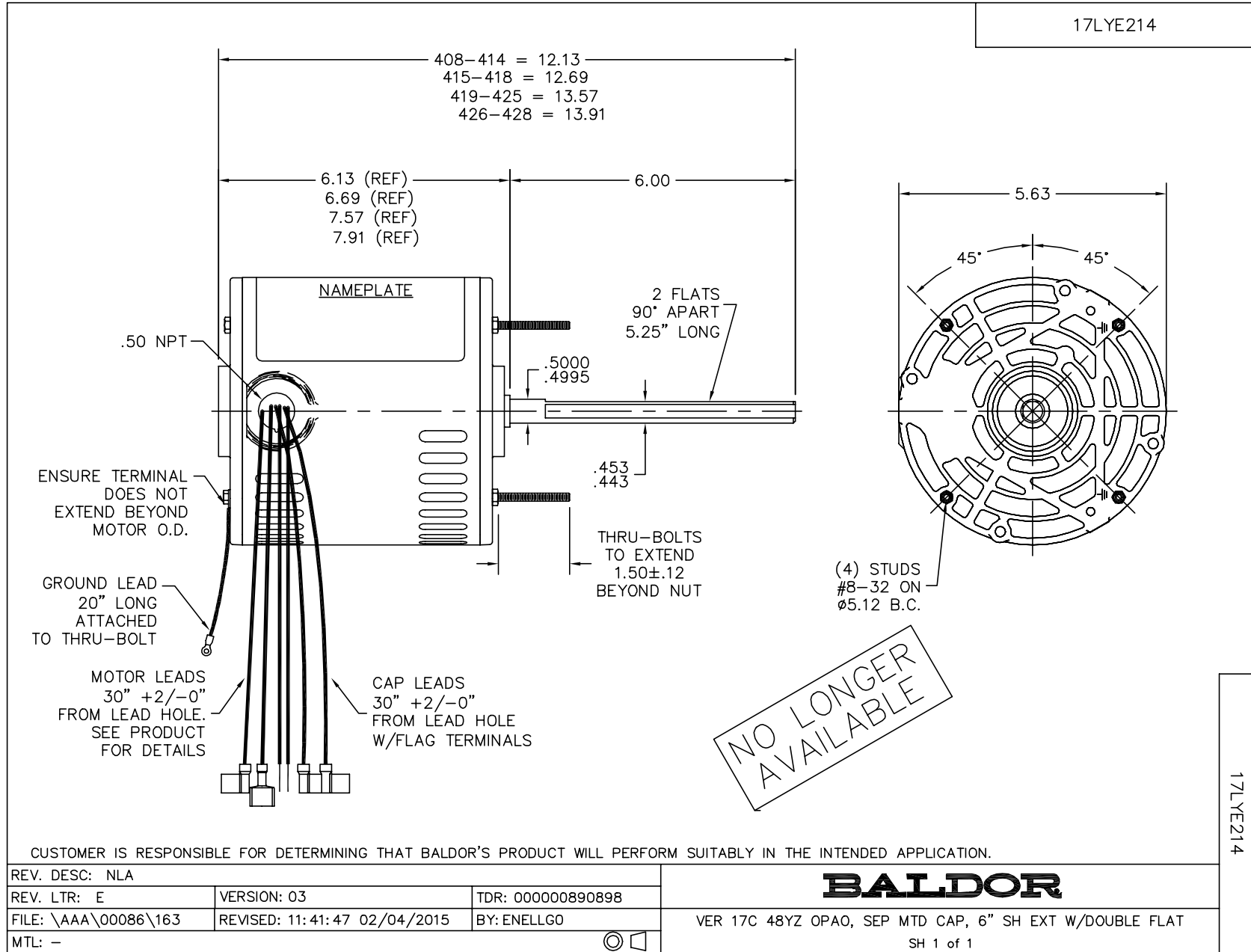
Nameplate NP1203A13											
CAT.NO.										ENCL	OPAO
SPEC.	17E214W486									FRAME	48YZ
HP	.25										
VOLTS	208-230										
AMPS	1.4-1.5										
RPM	1075										
HZ	60			PH	1	CL	B				
SER.F.	1.00			DES	-	CODE	A				
FL EFF				PF							
RATING	40C AMB-CONT										
SF AMP										USABLE AT 208V	
SER.											
MANUAL	N	AUTO			Y	NONE		N			
	7.5 MFD, 370VAC										

Dealers Industrial Equipment -- Visit <https://DealersElectric.com> or call (908) 688-1966 for all of your electric motor & VFD needs!

Parts List		
Part Number	Description	Quantity
SA075497	SA 17E214W486	1.000 EA
RA069143	RA 17E214W486	1.000 EA
LD5000A126	LEAD ASSY, ML1400DF16, 20"	1.000 EA
17EP3202AT05	PU ENDPLATE, MACH, OPEN, NO HUB	1.000 EA
17EP3202AT05	PU ENDPLATE, MACH, OPEN, NO HUB	1.000 EA
XY0832A02	8-32 HEX NUT	4.000 EA
HA3169A36	THRUBOLT #8-32 THDS X 7.125 LONG	4.000 EA
HW5100A03	WAVY WASHER (W1543-017)	1.000 EA
LB1171	LABEL CARTON 6X6 ON LINE BLANK	1.000 EA
NP1203A13	NP LABEL 8 LEAD, SV, 3 SPEED, REV ROT	1.000 EA
MN416A01	TAG-INSTAL-MAINT no wire (1200/bx) 11/14	1.000 EA
MG5017	VARNISH - PDG 2500	0.050 GA
35PA1000	PKG GRP, PRINT PK1008A06	1.000 EA
PK3085X	FOAM SHAFT SUPPORT PRECUT 4-1/4 X 6-3/4	1.000 EA
PK3082	STYROFOAM CRADLE	1.000 EA

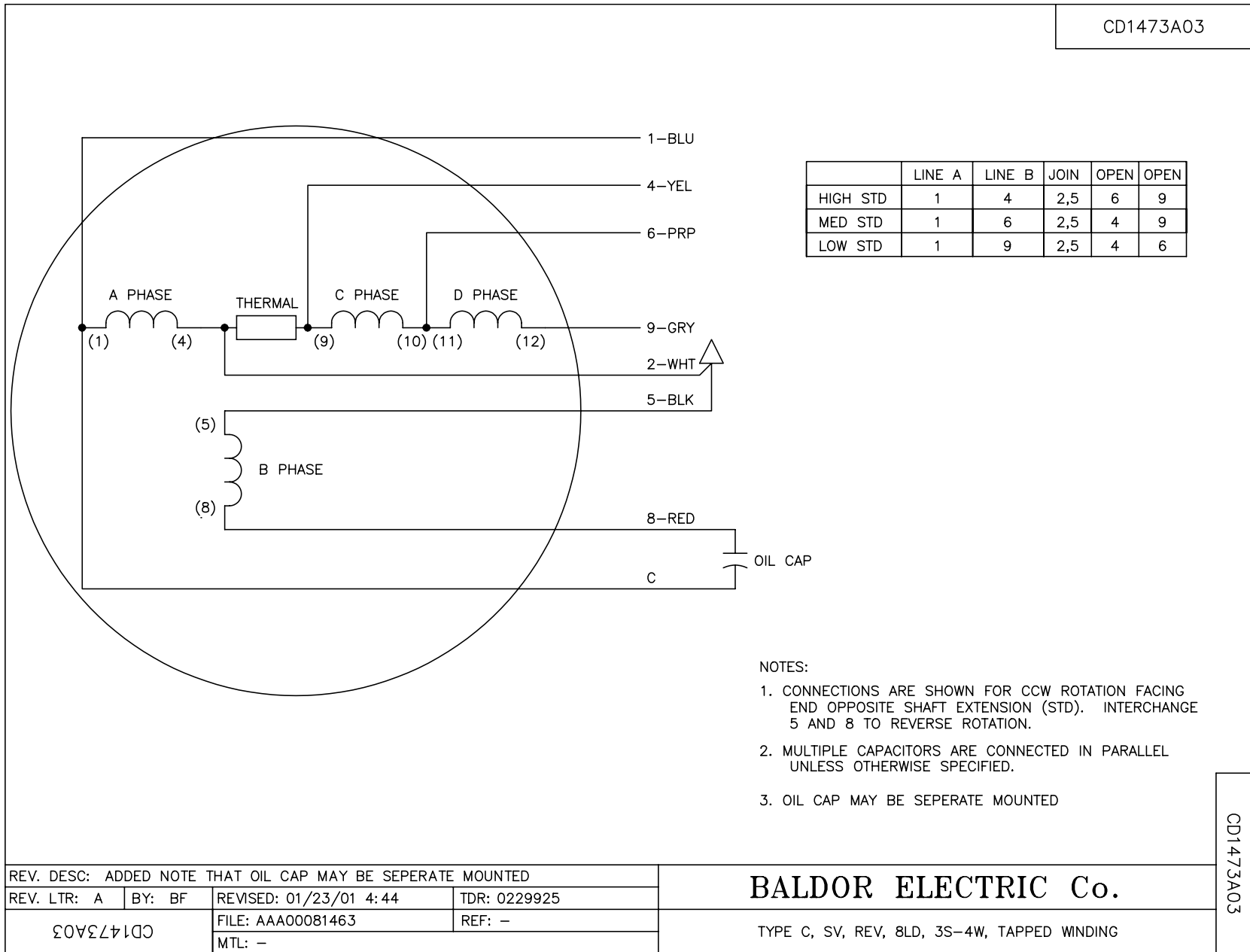
No performance data has been assigned to this product.

Dealers Industrial Equipment -- Visit <https://DealersElectric.com> or call (908) 688-1966 for all of your electric motor & VFD needs!



Dealers Industrial Equipment -- Visit <https://DealersElectric.com> or call (908) 688-1966 for all of your electric motor & VFD needs!

CD1473A03



REV. DESC: ADDED NOTE THAT OIL CAP MAY BE SEPERATE MOUNTED			
REV. LTR: A	BY: BF	REVISED: 01/23/01 4:44	TDR: 0229925
CD1473A03		FILE: AAA00081463	REF: -
		MTL: -	

BALDOR ELECTRIC Co.

TYPE C, SV, REV, 8LD, 3S-4W, TAPPED WINDING

CD1473A03