



# **BALDOR® • RELIANCE**

## **Product Information Packet**

# **B81B0243**

**.33HP,3450RPM,3PH,60HZ,56C,3410M,TENV,F1**

Part Detail							
Revision:	G	Status:	PRD/A	Change #:		Proprietary:	No
Type:	AC	Prod. Type:	3410M	Elec. Spec:	34WGY170	CD Diagram:	CD0005
Enclosure:	TENV	Mfg Plant:		Mech. Spec:	34K806	Layout:	34LYK806
Frame:	56C	Mounting:	F1	Poles:	02	Created Date:	05-01-2007
Base:	RG	Rotation:	R	Insulation:	F	Eff. Date:	03-28-2013
Leads:	9#18					Replaced By:	
Literature:		Elec. Diagram:					

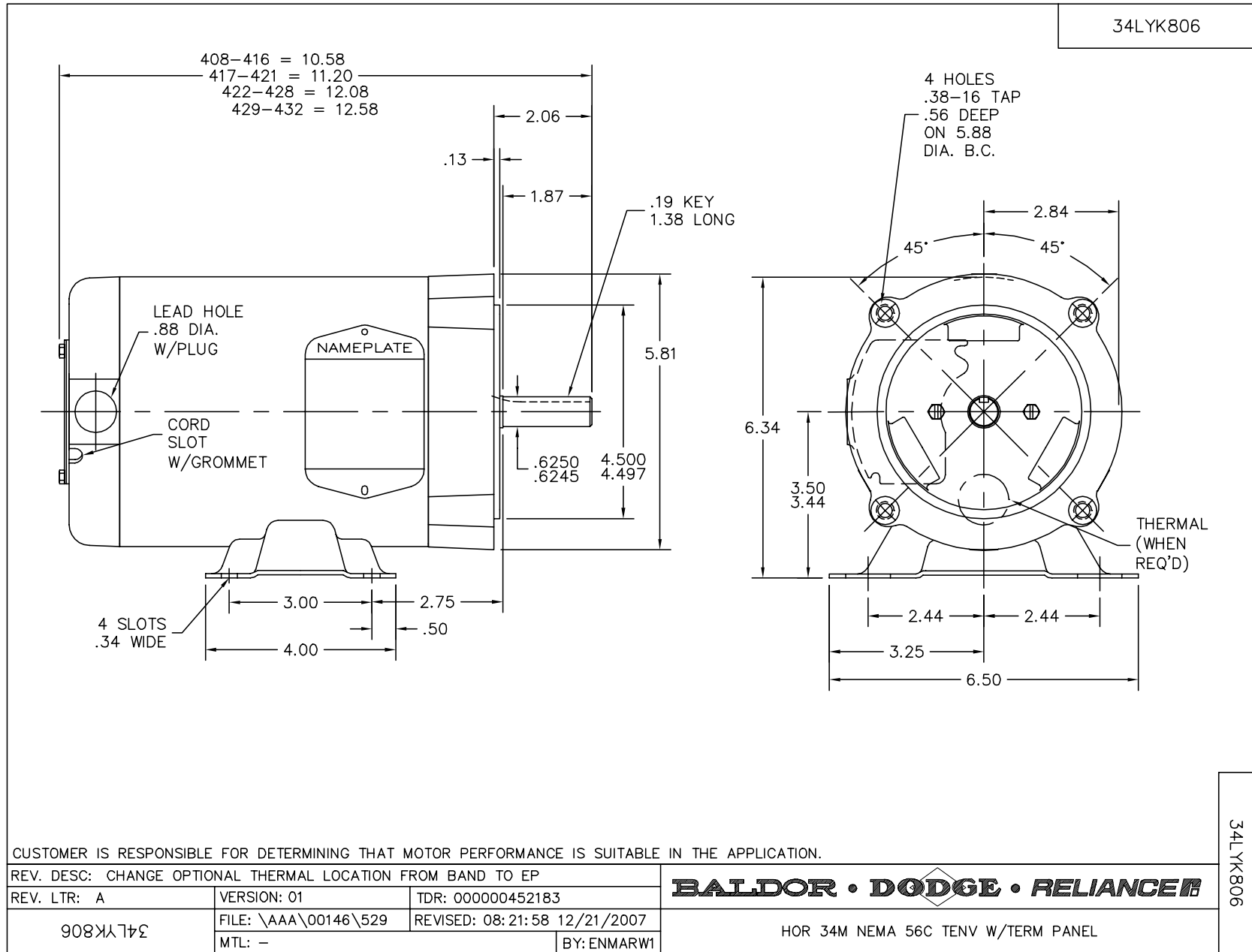
Nameplate NP1256L										
CAT.NO.	B81B0243									
SPEC.	34K806Y170G1									
HP	.33									
VOLTS	230/460									
AMP	1.4/.7									
RPM	3450									
FRAME	56C				HZ	60			PH	3
SER.F.	1.15			CODE	P	DES	B		CLASS	F
NEMA-NOM-EFF	72			PF	64					
RATING	40C AMB-CONT									
CC									USABLE AT 208V	1.6
DE	6203				ODE	6203				
ENCL	TENV			SN						
	B81B0243									

Dealers Industrial Equipment -- Visit <https://DealersElectric.com> or call (908) 688-1966 for all of your electric motor & VFD needs!

Parts List		
Part Number	Description	Quantity
SA157105	SA 34K806Y170G1	1.000 EA
RA145805	RA 34K806Y170G1	1.000 EA
SP1000A01	TERM BOARD, MODEL 34 SW	1.000 EA
51XW0832A07	8-32 X .44, TAPTITE II, HEX WSHR SLTD SE	3.000 EA
WD4100A01	DP-875 HEYCO PLUG OR 62MP0875 MICRO PLAS	1.000 EA
RM1001A01	GROMMET "MIDSTATES"	1.000 EA
11XT0832G06	8-32 X 3/8 TY 23 TAPPING	1.000 EA
HW5100A03	WAVY WASHER (W1543-017)	1.000 EA
34EP3300A24SP	PU ENDPLATE, MACH	1.000 EA
51XN1032A20	10-32 X 1 1/4 HX WS SL SR	2.000 EA
34CB4501SP	TERMINAL BOX LID, STAMPED X (PLATED)	1.000 EA
34GS1005	GASKET, TERM PLATE LID	1.000 EA
51XW0832A07	8-32 X .44, TAPTITE II, HEX WSHR SLTD SE	2.000 EA
HW2501D13	KEY, 3/16 SQ X 1.375	1.000 EA
HA7000A04	KEY RETAINER 0.625 DIA SHAFTS	1.000 EA
MG1000N49	MUNSELL 8.5BG 3.57/2.0, GLOSS 30, B/G,	0.014 GA
10XF0440S02	04-40 X 1/8 TYPE F HEX HD STAINLESS STIC	2.000 EA
34EP3204C01	SPL. FR. ENDPLATE 34L ENCL.	1.000 EA
HA3100A12	THRUBOLT 10-32 X 7.375	4.000 EA
MN416A01	TAG-INSTAL-MAINT no wire (1200/bx) 11/14	1.000 EA
LC0005E01	CONN.DIA./WARNING LABEL (LC0005/LB1119N)	1.000 EA
NP1256L	ALUM UL CSA CC	1.000 EA
34PA1002	PKG GRP, PRINT PK1001A01	1.000 EA
LB1417	LABEL CARTON 6X4 PERFORATED BLANK ROLLS	1.000 EA

No performance data has been assigned to this product.

Dealers Industrial Equipment -- Visit <https://DealersElectric.com> or call (908) 688-1966 for all of your electric motor & VFD needs!



Dealers Industrial Equipment -- Visit <https://DealersElectric.com> or call (908) 688-1966 for all of your electric motor & VFD needs!

