



# **BALDOR® • RELIANCE**

## **Product Information Packet**

### **B78U3670**

**.33HP,1725//1425RPM,3PH,60//50HZ,56CZ,34**

Part Detail							
Revision:	F	Status:	PRD/A	Change #:		Proprietary:	No
Type:	AC	Prod. Type:	3413M	Elec. Spec:	34WG5710	CD Diagram:	CD0006
Enclosure:	XPFC	Mfg Plant:		Mech. Spec:	34-7331	Layout:	34LY7331
Frame:	56CZ	Mounting:	F1	Poles:	04	Created Date:	10-16-2007
Base:	N	Rotation:	R	Insulation:	B	Eff. Date:	06-05-2015
Leads:	3#18					Replaced By:	
Literature:		Elec. Diagram:					

Nameplate NP0015XPSL				
NO.	<input type="text"/>	CC	<input type="text"/>	
SER.	<input type="text"/>			
SPEC.	34-7331-5710G1			
CAT.NO.	B78U3670			
HP	.33	T. CODE	T2A	
VOLTS	380			
AMPS	.7//.8			
RPM	1725//1425			
HZ	60//50	PH	3	
SER.F.	1.00	DES	B	
RATING	40C AMB-CONT		CL	B
FRAME	56CZ	CODE	J	
USABLE AT 208V		PF	68	
BLANK		NEMA-NOM-EFF	70	

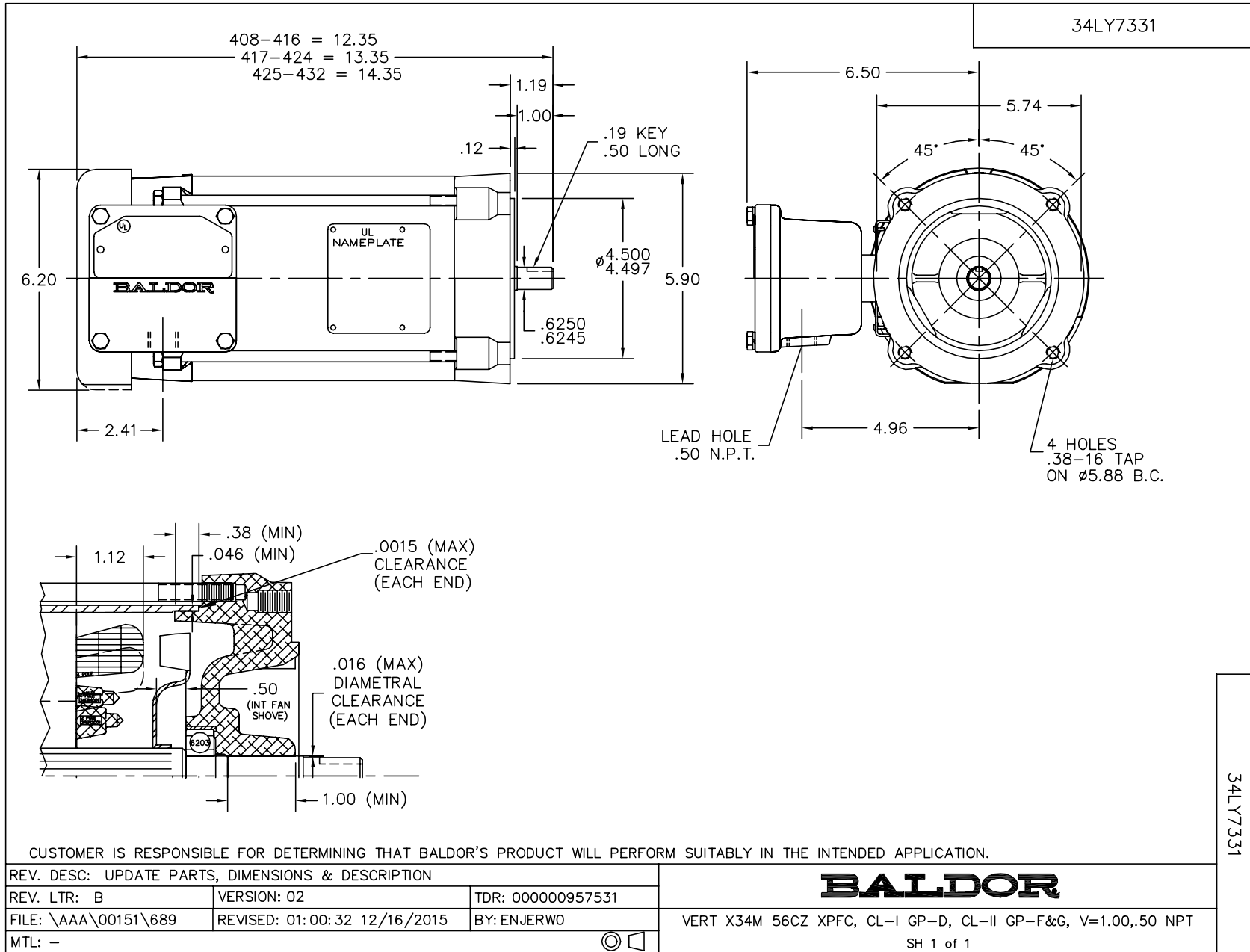
Dealers Industrial Equipment -- Visit <https://DealersElectric.com> or call (908) 688-1966 for all of your electric motor & VFD needs!

Parts List		
Part Number	Description	Quantity
SA164259	SA 34-7331-5710G1	1.000 EA
RA152696	RA 34-7331-5710G1	1.000 EA
MJ5000A01	SEALANT, CHICO A COMPOUND	0.050 LB
35CB3001A01SP	EXPL CONDUIT BOX, MACH, 1/2" PIPE TAP LE	1.000 EA
11XW1032G06	10-32 X .38, TAPTITE II, HEX WSHR SLTD U	1.000 EA
HW3001B01	BRASS CUP WASHER, FOR #8 SCREW	1.000 EA
51XW0832A07	8-32 X .44, TAPTITE II, HEX WSHR SLTD SE	2.000 EA
34EP3703A01	FR ENDPLATE, MACH XP	1.000 EA
HW4002A02	1-11.5X2LG PIPE NIPPLE (F/S)	1.000 EA
HA1025A13	WSHR,FELT,.38" THICK F-26 CLASS	1.000 EA
HW3021E06	1/8 DIA X 5/8 ROLLPIN (F/S)	1.000 EA
HW5100A03	WAVY WASHER (W1543-017)	1.000 EA
34EP3705A01SP	PU ENDPLATE, MACH	1.000 EA
34FN3002A01SP	EXTERNAL FAN, PLASTIC, .637/.639 HUB W/	1.000 EA
34FH4002A01	IEC FH NO GREASER PRIMED	1.000 EA
51XW1032A06	10-32 X .38, TAPTITE II, HEX WSHR SLTD S	3.000 EA
35CB3500A01SP	CONDUIT BOX LID, MACH	1.000 EA
51XN2520A16	SCREW, HEX WS SLT, ZN, 1/4-20 X 1.00	4.000 EA
HW2501D02	KEY, 3/16 SQ X 0.500	1.000 EA
HA7000A04	KEY RETAINER 0.625 DIA SHAFTS	1.000 EA
NP0018W	ALUM UL XP CONDUIT BOX NAMEPLATE	1.000 EA
85XU0407S04	4X1/4 U DRIVE PIN STAINLESS	6.000 EA
MG1025G29	WILKOFAS, 789.229, DARK CHARCOAL GRAY	0.014 GA
WD1000A16	2-520128-2 AMP FLAG TERMINAL(4M/RL)	5.000 EA

<b>Parts List (continued)</b>		
<b>Part Number</b>	<b>Description</b>	<b>Quantity</b>
SP5037A05	TERNIMAL PLATE ASS'Y MODEL 34 - 3 PHASE	1.000 EA
WD1000A16	2-520128-2 AMP FLAG TERMINAL(4M/RL)	5.000 EA
HA3104A03	THRUBOLT 5/16-18 X 7.625 W QTE#457	4.000 EA
LB1119N	WARNING LABEL	1.000 EA
LC0006	CONNECTION LABEL	1.000 EA
MN416A01	TAG-INSTAL-MAINT no wire (1200/bx) 11/14	1.000 EA
NP0015XPSL	SS XP UL CSA CC CL-I GP-D	1.000 EA
35PA1000	PKG GRP, PRINT PK1008A06	1.000 EA
PK3083T	STYROFOAM PACKING CRADLE W/TAPE	1.000 EA
LB1417	LABEL CARTON 6X4 PERFORATED BLANK ROLLS	1.000 EA

No performance data has been assigned to this product.

Dealers Industrial Equipment -- Visit <https://DealersElectric.com> or call (908) 688-1966 for all of your electric motor & VFD needs!



Dealers Industrial Equipment -- Visit <https://DealersElectric.com> or call (908) 688-1966 for all of your electric motor & VFD needs!

CD0006

TYPICAL WYE-CONNECTED MOTOR

1-BLU  
2-WHT  
3-ORG  
J-BRN  
OPTIONAL THERMOSTATS  
J-BRN

1 2 3  
LINE

TYPICAL DELTA-CONNECTED MOTOR

1-BLU  
2-WHT  
3-ORG  
J-BRN  
OPTIONAL THERMOSTATS  
J-BRN

NOTES:

1. THREE LEAD MOTOR MAY BE EITHER WYE CONNECTED OR DELTA CONNECTED.
2. INTERCHANGE ANY TWO LINE LEADS TO REVERSE ROTATION.
3. OPTIONAL THERMOSTATS ARE PROVIDED WHEN SPECIFIED.
4. ACTUAL NUMBER OF INTERNAL PARALLEL CIRCUITS MAY VARY.
5. LEAD COLORS ARE OPTIONAL. LEADS MUST BE NUMBERED AS SHOWN.

REV. DESC: REVISE TO SHOW OPTIONAL COLORS				<b>BALDOR ELECTRIC Co.</b>	3PH, SV, 3 LEADS, WYE OR DELTA CONNECTED
REV. LTR: D	BY: JLP	REVISED: 01/21/99 4:02	TDR: 0171435		
9000D		FILE: AAA00005141	MDL: -		
		MTL: -			

CD0006