



# **BALDOR® • RELIANCE**

## **Product Information Packet**

# **35P802Z575**

**1.5HP,3500RPM,DC,66,3528D,TEFC,F1,N**

Part Detail							
Revision:	D	Status:	INA/A	Change #:		Proprietary:	No
Type:	DC	Prod. Type:		Elec. Spec:	35WGZ575	CD Diagram:	CD0862B01
Enclosure:	TEFC	Mfg Plant:		Mech. Spec:	35P802	Layout:	35LYP802
Frame:	66	Mounting:	F1	Poles:	2///	Created Date:	07-14-2006
Base:	RG	Rotation:	R	Insulation:	F	Eff. Date:	09-24-2015
Field Type:	Compound/stab Shunt	Literature:		Elec. Diagram:		Replaced By:	

Nameplate NP0111L	
CAT.NO.	
SPEC.	35P802Z575
HP	1.5
RPM	3500
FRAME	66
ARM V	75
FLD V	75
INSUL	F
DUTY	CONT
BRG/DE	6205
BRUSHES	2/BP5000C07
SER.	
BLANK	
APRV-CSA	<input type="checkbox"/>

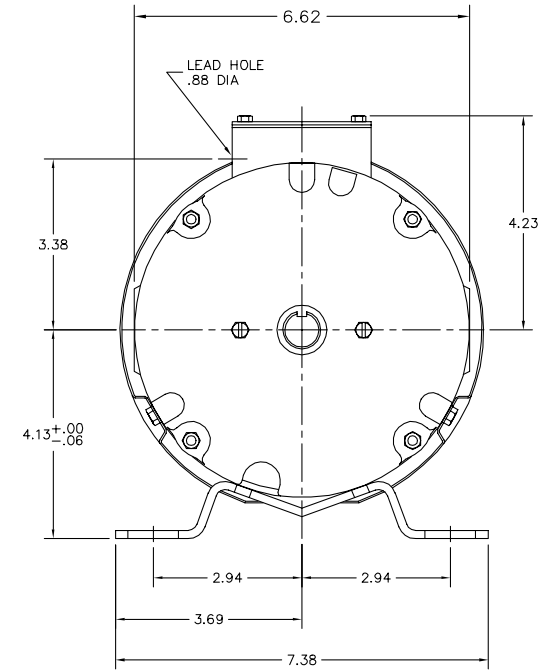
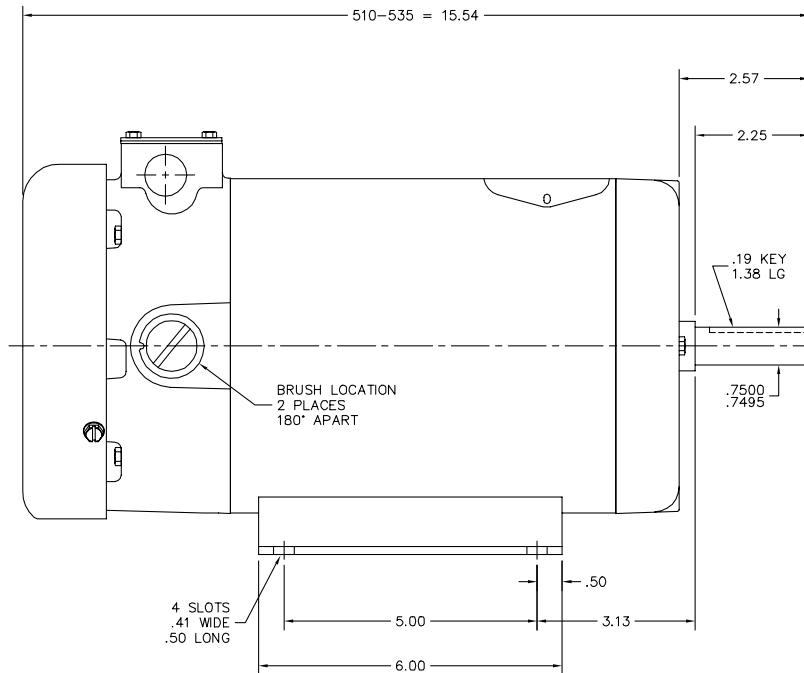
ENCL	TEFC
TYPE	3528D
ARM A	21
FLD A	.6
AMB.	40
SUPPLY	A
BRG/ODE	6203
BLANK	
APRV-UL	<input type="checkbox"/>

Dealers Industrial Equipment -- Visit <https://DealersElectric.com> or call (908) 688-1966 for all of your electric motor & VFD needs!

Parts List		
Part Number	Description	Quantity
SA145363	SA 35P802Z575	1.000 EA
AA012261	AA 35P802Z575	1.000 EA
MH2001A01B08	GLASTIC SHEET .093" X 1.084" X 36"	0.092 LB
BP5000C07	CARBON BRUSH - POWER - HIGH VOLTAGE	2.000 EA
11XW1032G06	10-32 X .38, TAPTITE II, HEX WSHR SLTD U	1.000 EA
HW3001B01	BRASS CUP WASHER, FOR #8 SCREW	1.000 EA
35EP3105A01	FR ENDPLATE, MACH	1.000 EA
HW5100A03	WAVY WASHER (W1543-017)	1.000 EA
35EP3101A48	SPL PU EP 205 BRG LOCKED BEARING	1.000 EA
51XN1032A20	10-32 X 1 1/4 HX WS SL SR	2.000 EA
80XN1032A03	10-32 X 3/16 SET SCREW	2.000 EA
BP5201A14SP	BRUSH HOLDER ASSY	1.000 EA
MJ5004A05	#242-21 LOCTITE GENERAL PURPOSE MED. STR	0.001 EA
35CB4504	COND. BOX LID 35 DC & PM FRAMES, STAMPED	1.000 EA
35GS1008	GASKET, CONDUIT BOX LID -- 1/16 LEXIDE #	1.000 EA
51XW0832A07	8-32 X .44, TAPTITE II, HEX WSHR SLTD SE	2.000 EA
35FN3002A05SP	EXFN, PLASTIC, 6.376 OD, .638 ID	1.000 EA
51XB1214A16	12-14X1.00 HXWSSLD SERTYB	1.000 EA
35FH4005A01SP	IEC FH NO GREASER W/PRIMED	1.000 EA
11XT1032A06	10-32 X 3/8 HX WSHR HD SLTD TYPE 23	3.000 EA
HW2501D13	KEY, 3/16 SQ X 1.375	1.000 EA
HA7000A11	KEY RETAINER 0.750 DIA SHAFTS	1.000 EA
WD4102A06	SR-7K-2 HEYCO STRN RELIEF OR 23MP07K20 M	1.000 EA
WD4100A17	PLUG STIMPSON D4036	1.000 EA

<b>Parts List (continued)</b>		
<b>Part Number</b>	<b>Description</b>	<b>Quantity</b>
MG1000G27	MED CHARCOAL METALLIC GREY 400-0096	0.017 GA
10XF0440S02	04-40 X 1/8 TYPE F HEX HD STAINLESS STIC	2.000 EA
HA3100A34	THRUBOLT 10-32 X 11.250	4.000 EA
LB1119N	WARNING LABEL	1.000 EA
NP0111L	NP STD LASER ENGRAVED DC MOTORS, UL CSA	1.000 EA
MN416A01	TAG-INSTAL-MAINT no wire (1200/bx) 11/14	1.000 EA
35PA1007	PKG GRP, PRINT PK1034A06	1.000 EA
LC0862	DC -- COMPOUND WOUND MOTOR CONNECTION LA	1.000 EA
LB1417	LABEL CARTON 6X4 PERFORATED BLANK ROLLS	1.000 EA

35LYP802



CUSTOMER IS RESPONSIBLE FOR DETERMINING THAT MOTOR PERFORMANCE IS SUITABLE IN THE APPLICATION.

REV. DESC: NEW	VERSION: 00	TDR: 000000402014
REV. LTR: -	REVISD: 10: 35: 34 07/21/2006	BY: ENFREHO
FILE: \AAA\00138\497		
MTL: -		

**BALDOR ELECTRIC Co.**

HORZ 35DC NEMA 66 TEFC 2 POLE

35LYP802

Dealers Industrial Equipment -- Visit <https://DealersElectric.com> or call (908) 688-1966 for all of your electric motor & VFD needs!

